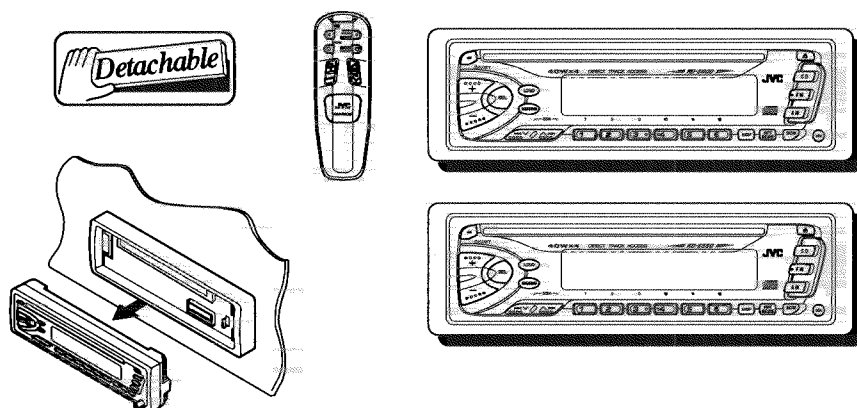


JVC

SERVICE MANUAL

CD RECEIVER

KD-S550 / KD-S600



Area Suffix
 J ----- Northern America
 E ----- Continental Europe




Model	Remote control unit
KD-S550	—
KD-S600	○

Contents

Safety precaution	1-2	Maintenance of laser pickup	2-10
Instructions	1-3~13	Description of major ICs	2-11
Location of main parts	2-1	Block diagram	2-23
Disassembly method	2-2	Standard schematic diagrams	2-24
Adjustment method	2-7	Printed circuit board	2-27~28
Flow of functional operation until TOC read	2-8	Parts list	3-1~11

Safety precaution

 **CAUTION** Burrs formed during molding may be left over on some parts of the chassis. Therefore, pay attention to such burrs in the case of performing repair of this system.

 **CAUTION** Please use enough caution not to see the beam directly or touch it in case of an adjustment or operation check.

Instructions



CD RECEIVER

KD-S600/S550

ENGLISH

RECEPTOR CON CD

KD-S600/S550

ESPAÑOL

RECEPTEUR CD

KD-S600/S550

FRANÇAIS

**Having TROUBLE with operation?
Please reset your unit**

Refer to page of How to reset
Still having trouble??

USA ONLY

Call 1-800-252-5722

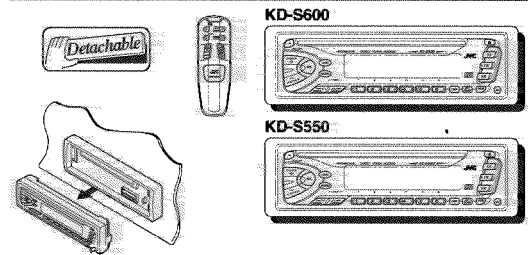
<http://www.jvcservice.com>

We can help you!



EN, SP, FR

1199HISFLEJES



For installation and connections, refer to the separate manual.
Para la instalación y las conexiones, refiérase al manual separado.
Pour l'installation et les raccordements, se référer au manuel séparé.



For customer Use:
Enter below the Model No. and Serial No., which are located on the top or bottom of the cabinet. Retain this information for future reference.
Model No. _____
Serial No. _____

FSUN3105-631 (J)

INSTRUCTIONS MANUAL DE INSTRUCCIONES MANUEL D'INSTRUCTIONS

Thank you for purchasing a JVC product. Please read all instructions carefully before operation, to ensure your complete understanding and to obtain the best possible performance from the unit.

CONTENTS

BASIC OPERATIONS	4
RADIO OPERATIONS	5
Listening to the radio	5
Storing stations in memory	6
FM station automatic preset: SSM	6
Manual preset	7
Tuning into a preset station	8
Other convenient tuner functions	9
Scanning broadcast stations	9
Selecting FM reception sound	9
Changing the AM/FM channel intervals	9
CD OPERATIONS	10
Playing a CD	10
Locating a track or a particular portion a CD	11
Selecting CD playback modes	12
Other convenient CD functions	12
Prohibiting CD ejection	12
SOUND ADJUSTMENTS	13
Adjusting the sound	13
Turning on/off the loudness function	14
Using the Sound Control Memory	15
Selecting and storing the sound modes	15
Recalling the sound modes	16
Canceling Advanced SCM	17
Storing your own sound adjustments	18
OTHER MAIN FUNCTIONS	19
Setting the clock	19
Selecting the level display	20
Detaching the control panel	21
REMOTE OPERATIONS (ONLY FOR KD-S600)	22
Installing the batteries	22
Using the remote controller	22
MAINTENANCE	23
Handling CDs	23
TROUBLESHOOTING	24
SPECIFICATIONS	25

ENGLISH

ENGLISH

INFORMATION (For USA)

This equipment has been tested and found to comply with the limits for a Class B digital device, pursuant to Part 15 of the FCC Rules. These limits are designed to provide reasonable protection against harmful interference in a residential installation. This equipment generates, uses, and can radiate radio frequency energy and, if not installed and used in accordance with the instructions, may cause harmful interference to radio communications. However, there is no guarantee that interference will not occur in a particular installation. If this equipment does cause harmful interference to radio or television reception, which can be determined by turning the equipment off and on, the user is encouraged to try to correct the interference by one or more of the following measures:

- Reorient or relocate the receiving antenna.
- Increase the separation between the equipment and receiver.
- Connect the equipment into an outlet on a circuit different from that to which the receiver is connected.
- Consult the dealer or an experienced radio/TV technician for help.

IMPORTANT FOR LASER PRODUCTS

Precautions:

1. **CLASS 1 LASER PRODUCT**
2. **DANGER:** Invisible laser radiation when open and interlock failed or defeated. Avoid direct exposure to beam.
3. **CAUTION:** Do not open the top cover. There are no user-serviceable parts inside. Leave all servicing to qualified service personnel.
4. **CAUTION:** This CD player uses invisible laser radiation, however, is equipped with safety switches to prevent radiation emission when unloading CDs. It is dangerous to defeat the safety switches.
5. **CAUTION:** Use of controls, adjustments or performance of procedures other than those specified herein may result in hazardous radiation exposure.

How to reset your unit

Press and hold both the SEL (Select) and Φ /I/ATT (Standby/On/ATT) buttons at the same time for several seconds.

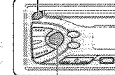
This will reset the built-in microcomputer.

NOTES: Your preset adjustments — such as preset channels or sound adjustments — will also be erased.

If a CD is in the unit, it will eject when you reset the unit. Pay attention not to drop the CD.

Φ /I/ATT (Standby/On/ATT)

SEL (Select)

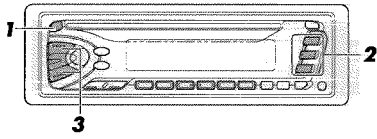


BEFORE USE

- For safety...
- Do not raise the volume level too much, as this will block outside sounds, making driving dangerous.
- Stop the car before performing any complicated operations.
- Temperature inside the car... If you have parked the car for a long time in hot or cold weather, wait until the temperature in the car becomes normal before operating the unit.

BASIC OPERATIONS

ENGLISH



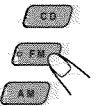
Note:
When you use this unit for the first time, set the built-in clock correctly, see page 19.

- 1** Turn on the power.



Note on One-Touch Operation:
When you select a source in step 2 below, the power automatically comes on. You do not have to press this button to turn on the power.

- 2** Select the source.



To operate the tuner, see pages 5 – 9.
To operate the CD player, see pages 10 – 12.

- 3** Adjust the volume.



Volume level indicator... Volume level appears

- 4** Adjust the sound as you want (see pages 13 – 18).

To drop the volume in a moment

Press **O/I/ATT** briefly while listening to any source. "ATT" starts flashing on the display, and the volume level will drop in a moment.

To resume the previous volume level, press the button briefly again.

To turn off the power

Press **O/I/ATT** for more than 1 second.

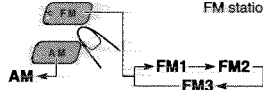
RADIO OPERATIONS

Listening to the radio

ENGLISH

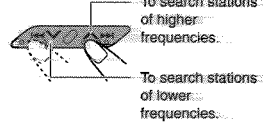


- 1** Select the band (FM1, FM2, FM3 or AM).
You can select any one of FM1, FM2 and FM3 to listen to an FM station.



Volume level indicator... selected band appears

- 2** Start searching a station.
When a station is received, searching stops.



To stop searching before a station is received, press the same button you have pressed for searching.

To tune in a particular frequency without searching:

- 1 Press FM or AM to select the band.
- 2 Press and hold **▲▶▶** or **◀◀▼** until "M" starts flashing on the display. Now you can manually change the frequency while "M" is flashing.
- 3 Press **▲▶▶** or **◀◀▼** repeatedly until the frequency you want is reached.
 - If you hold down the button, the frequency keeps changing until you release the button.

4

5

Storing stations in memory

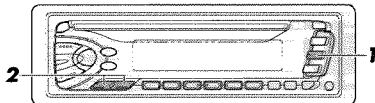
ENGLISH

You can use one of the following two methods to store broadcasting stations in memory.

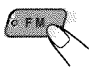
- Automatic preset of FM stations: SSM (Strong-station Sequential Memory)
- Manual preset of both FM and AM stations

FM station automatic preset: SSM

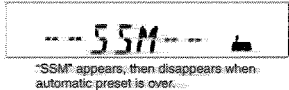
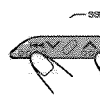
You can preset 6 local FM stations in each FM band (FM1, FM2, and FM3).



- 1** Select the FM band number (FM1, FM2 or FM3) you want to store FM stations into.



- 2** Press and hold the both buttons for more than 2 seconds.



"SSM" appears, then disappears when automatic preset is over.

Local FM stations with the strongest signals are searched and stored automatically in the band number you have selected (FM1, FM2 or FM3). These stations are preset in the number buttons — No. 1 (lowest frequency) to No. 6 (highest frequency).

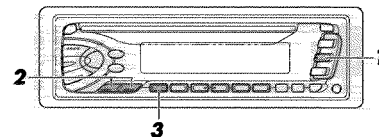
When automatic preset is over, the station stored in number button 1 will be automatically tuned in.

6

Manual preset

You can preset up to 6 stations in each band (FM1, FM2, FM3 and AM) manually.

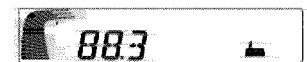
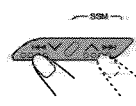
EXAMPLE: Storing an FM station of 88.3 MHz into the preset number 1 of the FM1 band.



- 1** Select the FM1 band.



- 2** Tune into a station of 88.3 MHz.
See page 5 to tune into a station.



- 3** Press and hold the button for more than 2 seconds.



"P1" flashes for a few seconds.

- 4** Repeat the above procedure to store other stations into other preset numbers.

Notes:

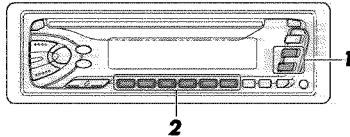
- A previously preset station is erased when a new station is stored in the same preset number.
- Preset stations are erased when the power supply to the memory circuit is interrupted (for example, during battery replacement). If this occurs, preset the stations again.

7

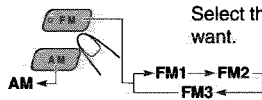
ENGLISH

Tuning into a preset station

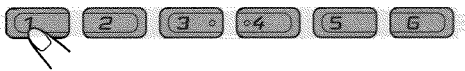
You can easily tune into a preset station. Remember that you must store stations first. If you have not stored them yet, see pages 6 and 7.



1 Select the band (FM1, FM2, FM3 or AM) you want.



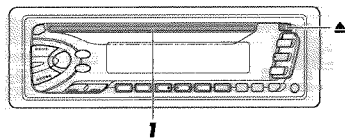
2 Select the number (1 – 6) for the preset station you want.



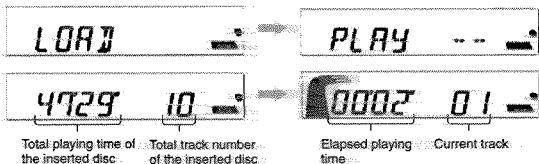
8

CD OPERATIONS

Playing a CD



1 Insert a disc into the loading slot. The unit turns on, draws a CD and starts playback automatically.
 • When a CD is inserted upside down, "EJECT" appears on the display and the CD automatically ejects.



Note on One-Touch Operation:
 When a CD is already in the loading slot, pressing CD turns on the unit and starts playback automatically.

CAUTION on Volume Setting
 CDs produces very little noise compared with other sources. If the volume level is adjusted for the tuner, for example, the speakers may be damaged by the sudden increase in the output level. Therefore, lower the volume before playing a CD and adjust it as required during playback.

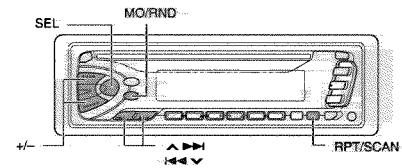
To stop play and eject the CD

Press **▲**.
 CD play stops and the CD automatically ejects from the loading slot. The source changes to the tuner (you will hear the last received station).
 If you change the source to AM/FM, the CD play also stops (without ejecting the CD this time).
 • If the ejected disc is not removed for about 15 seconds, the disc is automatically inserted again into the loading slot to protect it from dust. (CD play will not start this time.)
 • You can eject the CD even when the unit is turned off.

10

ENGLISH

Other convenient tuner functions



Scanning broadcast stations

When you press RPT/SCAN while listening to the radio, station scanning starts. Each time a broadcast is tuned in, scanning stops for about 5 seconds (tuned frequency number flashes on the display), and you can check what program is now being broadcasted.

If you want to listen to that program, press the same button again to stop scanning.

Selecting FM reception sound

When an FM stereo broadcast is hard to receive:

Press MO/RND (Mono/Random) while listening to an FM stereo broadcast. The sound you hear becomes monaural but reception will be improved.



Lights up when receiving an FM broadcast in stereo.
 To restore the stereo effect, press the same button again.

Changing the AM/FM channel intervals

When using this unit in an area other than North or South America:

When this unit is shipped from the factory, the channel intervals are set to 10 kHz for AM and 200 kHz for FM. You can change the channel intervals by following the procedure below.

- 1 Press SEL (select) for more than 2 seconds.
 "CLOCK H", "CLOCK M", "SOM LINK", "LEVEL" or "AREA" appears on the display.
- 2 If "AREA" does not appear, press **▶▶▶** or **◀◀◀** until it appears.
- 3 Press **+**.
 "AREA EU" appears and the channel intervals are set to 9 kHz for AM and 50 kHz (for manual tuning) / 100 kHz (for searching) for FM.

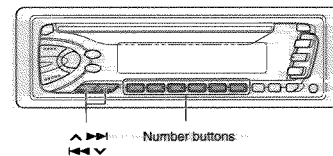
To reset to the factory setting, follow the above step 1 and 2, then press **—** in step 3 ("AREA US" appears on the display).

AREA EU: Select this when used in an area other than North and South America.
 AREA US: Select this when used in North or South America.

9

ENGLISH

Locating a track or a particular portion on a CD



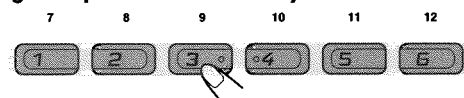
To fast forward or reverse the track

Press and hold **▶▶▶**, while playing a CD, to fast forward the track.
 Press and hold **◀◀◀**, while playing a CD, to reverse the track.

To go to the next track or the previous track

Press **▶▶▶** briefly, while playing a CD, to go ahead to the beginning of the next track. Each time you press the button consecutively, the beginning of the next tracks is located and played back.
 Press **◀◀◀** briefly, while playing a CD, to go back to the beginning of the current track. Each time you press the button consecutively, the beginning of the previous tracks is located and played back.

To go to a particular track directly

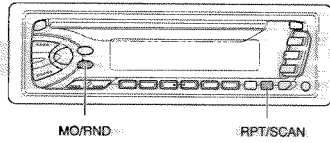


Press the number button corresponding to the track number to start its playback.
 • To select a track number from 1 – 6:
 Press 1 (7) – 6 (12) briefly.
 • To select a track number from 7 – 12:
 Press and hold 1 (7) – 6 (12) for more than 1 second.

11



Selecting CD playback modes



To play back tracks at random (Random Play)

You can play back all tracks on the CD at random.



Each time you press MO/RND (Mono/Random) while playing a CD, CD random play mode turns on and off alternatively. When the random mode is turned on, the RND indicator lights up on the display and a track randomly selected starts playing.



To play back tracks repeatedly (Repeat Play)

You can play back the current track repeatedly.



Each time you press RPT/SCAN (Repeat) while playing a CD, CD repeat play mode turns on and off alternatively. When the repeat mode is turned on, the RPT indicator lights up on the display.



Track number of the currently playing track.

Other convenient CD functions

Prohibiting CD ejection

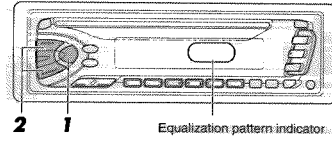
You can prohibit the CD ejection and can "lock" a CD in the loading slot. Press and hold CD and for more than 2 seconds. "EJECT" flashes on the display for about 5 seconds, and the CD is "locked."

To cancel the prohibition and "unlock" the CD, press and hold CD and for more than 2 seconds again. "EJECT" appears on the display, and the CD ejects from the loading slot.

SOUND ADJUSTMENTS

Adjusting the sound

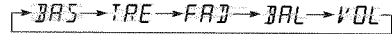
You can adjust the treble/bass sound and the speaker balance.



1



Select the item you want to adjust.

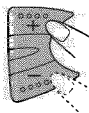


Indication	To do:	Range
BAS (Bass)	Adjust the bass	-6 (min.) — +6 (max.)
TRE (Treble)	Adjust the treble	-6 (min.) — +6 (max.)
FAD (Fader)*	Adjust the front and rear speaker balance	R6 (rear only) — F6 (front only)
BAL (Balance)	Adjust the left and right speaker balance	L6 (left only) — R6 (right only)
VOL (Volume)	Adjust the volume	00 (min.) — 50 (max.)

Note:

* If you are using a two-speaker system, set the fader level to "00".

2



Adjust the level.

Equalization pattern changes as you adjust the bass or treble.



Note:

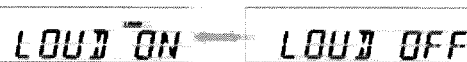
Normally the control dial works as the volume control. So you do not have to select "VOL" to adjust the volume level.



Turning on/off the loudness function

The human ear is less sensitive to low and high frequencies at low volumes. The loudness function can boost these frequencies to produce well-balanced sound at low volume level.

Each time you press LOUD, the loudness function turns on and off alternatively.



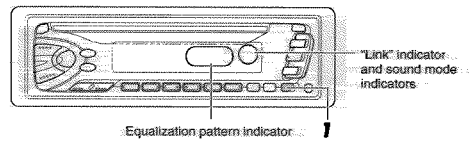
Using the Sound Control Memory

You can select and store a preset sound adjustment suitable to each playback source. (Advanced SCM)

Selecting and storing the sound modes

Once you select a sound mode, it is stored in memory, and will be recalled every time you select the same source. A sound mode can be stored each of the following sources — FM1, FM2, FM3, AM and CD.

- If you do not want to store the sound mode separately for each playback source, but want to use the same sound mode for all the sources, see "Canceling Advanced SCM" on page 17.



1



Select the sound mode you want.

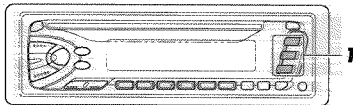
Each time you press the button, the sound mode changes as follows.



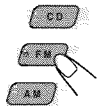
- If the "Link" indicator is lit on the display (with "SCM LINK" set to "LINK ON" — see page 17), the selected sound mode can be stored in memory for the current source, and the effect applies to the current source.
- If the "Link" indicator is NOT lit on the display (with "SCM LINK" set to "LINK OFF"), the selected sound mode effect applies to any source.

Indication	For:	Preset values		
		Bass	Treble	Loudness
SCM OFF	(Flat sound)	00	00	On
BEAT	Rock or disco music	+2	00	On
SOFT	Quiet background music	+1	-3	Off
POP	Light music	+4	+1	Off

Recalling the sound modes



1



Select the source while the "Link" indicator is lit on the display.

The "Link" indicator starts flashing, and the sound mode stored in memory for the selected source is recalled.

Equalization pattern of the selected sound mode appears.



Notes:

- You can adjust each sound mode to your preference, and store it in memory.
- If you want to adjust and store your original sound mode, see "Storing your own sound adjustments" on page 18.
- To adjust the bass and treble reinforcement levels or to turn on/off the loudness function temporarily, see pages 13 and 14. Your adjustments will be cancelled if another source is selected.



Storing your own sound adjustments

You can adjust the sound modes (BEAT, SOFT, POP: see page 15) to your preference and store your own adjustments in memory.



1



Call up the sound mode you want to adjust. See page 13 for details.

2



Within 5 seconds

To adjust the bass or treble sound level: Select "BAS" or "TRE".



To turn on or off the loudness function

Each time you press LOUD, the loudness function turns on and off alternately. (→ go to step 4)

3



Within 5 seconds

Adjust the bass or treble level. See page 13 for details.

4



Within 5 seconds

Press and hold SCM until the sound mode you have selected in step 1 flashes on the display.

Your setting is stored in memory.

5

Repeat the same procedure to store other settings.

To reset to the factory settings

Repeat the same procedure and reassign the preset values listed in the table on page 15.

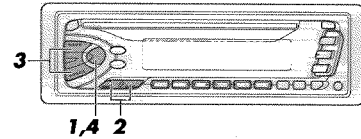
Canceling Advanced SCM

You can cancel the Advanced SCM (Sound Control Memory), and unlink the sound modes and the playback sources.

When shipped from the factory, a different sound mode can be stored in memory for each source so that you can change the sound modes simply by changing the sources.

LINK ON: Advanced SCM (different SCMs for different sources)

LINK OFF: Conventional SCM (one SCM for all sources)

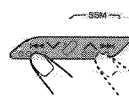


1



Press and hold SEL for more than 2 seconds. "CLOCK H", "CLOCK M", "SCM LINK", "LEVEL" or "AREA" appears on the display.

2



Select "SCM LINK" if not shown on the display.

3



Select the desired mode — "LINK ON" or "LINK OFF".

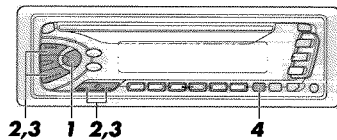
4



Finish the setting.

OTHER MAIN FUNCTIONS

Setting the clock



1



Press and hold the button for more than 2 seconds. "CLOCK H", "CLOCK M", "SCM LINK", "LEVEL" or "AREA" appears on the display.

2



Set the hour.

1. Select "CLOCK H" if not shown on the display.

2. Adjust the hour.

3



Set the minute.

1. Select "CLOCK M"

2. Adjust the minute.

4



Start the clock.

To check the current clock time (changing the display mode)

Press DISP repeatedly. Each time you press the button, the display mode changes as follows.

During tuner operation:

Frequency ↔ Clock

During CD operation:

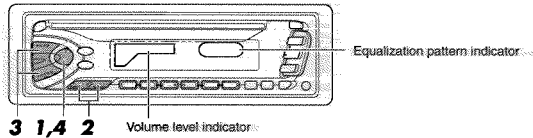
Elapsed playing time ↔ Clock

- If the unit is not in use when you press DISP, the power turns on, the clock time is shown for 5 seconds, then the power turns off.



Selecting the level display

You can select the level display according to your preference.
 When shipped from the factory, "VOL 2" is selected.
VOL 1: Shows the volume level indicator and the equalization pattern indicator.
VOL 2: Alternates "VOL 1" setting and illumination display.
OFF: Erase the volume level indicator and the equalization pattern indicator.

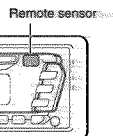


- 1** Press and hold SEL for more than 2 seconds. "CLOCK H", "CLOCK M", "SCM LINK", "LEVEL" or "AREA" appears on the display.
- 2** Select "LEVEL" if not shown on the display.
- 3** Select the desired mode — "VOL 1", "VOL 2" or "OFF".
- 4** Finish the setting.

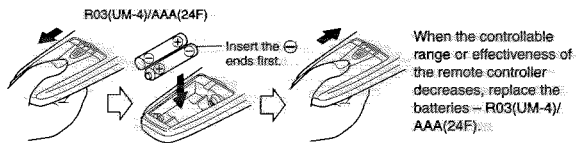
REMOTE OPERATIONS

This section is **ONLY FOR KD-S600**.

- Before using the remote controller:
- Aim the remote controller directly at the remote sensor on the main unit. Make sure there is no obstacle in between.
 - Do not expose the remote sensor to strong light (direct sunlight or artificial lighting).



Installing the batteries



When the controllable range or effectiveness of the remote controller decreases, replace the batteries — R03(UM-4)/AAA(24F).

Using the remote controller

-
- 1** Functions the same as the **ON/ATT** button on the main unit.
 - 2** Select the source.
 - 3** Each time you press **FUNC** (function), the source changes.
 - 4** Functions the same as the control dial on the main unit.
 - 5** Functions as the **BAND** button while listening to the radio. Each time you press the button, the band changes.
 - Does not function as the **PROG/DISC +** button.
 - 6** Functions as the **PRESET** button while listening to the radio. Each time you press the button, the preset station number increases, and selected station is tuned in.
 - Does not function as the **DISC -** button.
 - Searches stations while listening to the radio.
 - Fast forwards or reverses the track if pressed and held while listening to the CD.
 - Skips to the beginning of the next tracks or go back to the beginning of the current (or previous tracks) if pressed briefly while listening to the CD.

Note:
 These buttons cannot be used for the clock (CLOCK H, CLOCK M), SCM LINK, LEVEL and FM/AM channel intervals (AREA) adjustments (see pages 19, 15, 20 and 9).



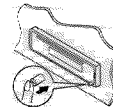
Detaching the control panel

You can detach the control panel when leaving the car.
 When detaching or attaching the control panel, be careful not to damage the connectors on the back of the control panel and on the panel holder.

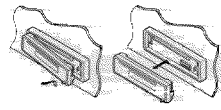
How to detach the control panel

Before detaching the control panel, be sure to turn off the power.

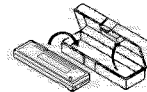
- 1** Unlock the control panel.



- 2** Lift and pull the control panel out of the unit.

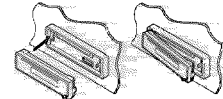


- 3** Put the detached control panel into the case provided.

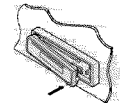


How to attach the control panel

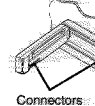
- 1** Insert the left side of the control panel into the groove on the panel holder.



- 2** Press the right side of the control panel to fix it to the panel holder.



Note on cleaning the connectors:
 If you frequently detach the control panel, the connectors will deteriorate.
 To minimize this possibility, periodically wipe the connectors with a cotton swab or cloth moistened with alcohol, being careful not to damage the connectors.



MAINTENANCE ?!

Handling CDs

This unit has been designed only to reproduce the CDs bearing the **CD-DA** mark.
 Other discs cannot be played back.

How to handle CDs

When removing a CD from its case, press down the center holder of the case and lift the CD out, holding it by the edges.



- Always hold the CD by the edges. Do not touch its recording surface.

When storing a CD into its case, gently insert the CD around the center holder (with the printed surface facing up).

- Make sure to store CDs into the cases after use.

To keep CDs clean

A dirty CD may not play correctly. If a CD does become dirty, wipe it with a soft cloth in a straight line from center to edge.



To play new CDs

New CDs may have some rough spots around the inner and outer edges. If such a CD is used, this unit may reject the CD.
 To remove these rough spots, rub the edges with a pencil or ball-point pen, etc.



Moisture condensation

Moisture may condense on the lens inside the CD player in the following cases:

- After starting the heater in the car.
- If it becomes very humid inside the car.
- Should this occur, the CD player may malfunction. In this case, eject the CD and leave the unit turned on for a few hours until the moisture evaporates.

CAUTIONS:

- Do not insert 8cm (3 1/16") CDs (single CDs) into the loading slot. (Such CDs cannot be ejected.)
- Do not insert any CD of unusual shape — like a heart or flower; otherwise, it will cause a malfunction.
- Do not expose CDs to direct sunlight or any heat source or place them in a place subject to high temperature and humidity. Do not leave them in a car.
- Do not use any solvent (for example, conventional record cleaner, spray, thinner, benzine, etc.) to clean CDs.

When playing a CD-R (Recordable)

- You can play back your original CD-Rs on this receiver.
- Before playing back CD-Rs, read their instructions or cautions carefully.
- Some CD-Rs recorded on CD recorders may not be played back on this receiver because of their disc characteristics, and of the following reasons:
 - Discs are dirty or scratched.
 - Moisture condensation occurs on the lens inside the unit.
 - The pickup lens inside the CD player is dirty.
- Use only "finalized" CD-Rs.
- CD-RWs (Rewritable) cannot be played back on this receiver.

About mistracking:

Mistracking may result from driving on extremely rough roads. This does not damage the unit and the CD, but will be annoying.
 We recommend that you stop CD play while driving on such rough roads.

! TROUBLESHOOTING

What appears to be trouble is not always serious. Check the following points before calling a service center.

Symptoms	Causes	Remedies
• CD cannot be played back.	CD is inserted upside down.	Insert the CD correctly.
• CD sound is sometimes interrupted.	You are driving on rough roads.	Stop CD play while driving on rough roads.
	CD is scratched.	Change the CD.
	Connections are incorrect.	Check the cords and connections.
• "NO DISC" appears on the display.	No CD is in the loading slot.	Insert a CD into the loading slot.
	CD is inserted incorrectly.	Insert it correctly.
• Sound cannot be heard from the speakers.	The volume control is turned to the minimum level.	Adjust it to the optimum level.
	Connections are incorrect.	Check the cords and connections.
• SSM (Strong-station Sequential Memory) automatic preset does not work.	Signals are too weak.	Store stations manually.
• Static noise while listening to the radio.	The antenna is not connected firmly.	Connect the antenna firmly.
• CD can be neither played back nor ejected.	The CD player may function incorrectly.	Press ⏏/ATT and ▶ at the same time for more than 2 seconds. Be careful not to drop CD when it is ejected.
• The unit does not work at all.	The built-in microcomputer may function incorrectly due to noise, etc.	Press ⏏/ATT and SEL at the same time for more than 2 seconds to reset the unit. (The clock setting and preset stations stored in memory are erased.) (See page 2.)

SPECIFICATIONS

AUDIO AMPLIFIER SECTION

Maximum Power Output:
 Front: 40 watts per channel
 Rear: 40 watts per channel
 Continuous Power Output (RMS):
 Front: 16 watts per channel into 4 Ω, 40 to 20,000 Hz at no more than 0.8% total harmonic distortion
 Rear: 16 watts per channel into 4 Ω, 40 to 20,000 Hz at no more than 0.8% total harmonic distortion
 Load Impedance: 4 Ω (4 to 8 Ω allowance)
 Tone Control Range:
 Bass: ±10 dB at 100 Hz
 Treble: ±10 dB at 10 kHz
 Frequency Response: 40 to 20,000 Hz
 Signal-to-Noise Ratio: 70 dB
 Line-Out Level/Impedance: 2.0 V/20 kΩ load (full scale)
 Output Impedance: 1 kΩ

TUNER SECTION

Frequency Range:
 FM: 87.5 to 107.9 MHz (with channel interval set to 200 kHz)
 87.5 to 108.0 MHz (with channel interval set to 50 kHz)
 AM: 530 to 1,710 kHz (with channel interval set to 10 kHz)
 531 to 1,602 kHz (with channel interval set to 9 kHz)

[FM Tuner]

Usable Sensitivity: 11.3 dBf (1.0 μV/75 Ω)
 50 dB Quieting Sensitivity: 16.3 dBf (1.8 μV/75 Ω)
 Alternate Channel Selectivity (400 kHz): 65 dB
 Frequency Response: 40 to 15,000 Hz
 Stereo Separation: 35 dB
 Capture Ratio: 1.5 dB

[AM Tuner]

Sensitivity: 20 μV
 Selectivity: 35 dB

CD PLAYER SECTION

Type: Compact disc player
 Signal Detection System: Non-contact optical pickup (semiconductor laser)
 Number of channels: 2 channels (stereo)
 Frequency Response: 5 to 20,000 Hz
 Dynamic Range: 96 dB
 Signal-to-Noise Ratio: 98 dB
 Wow and Flutter: Less than measurable limit

GENERAL

Power Requirement:
 Operating Voltage: DC 14.4 volts (11 to 16 volts allowance)
 Allowable Working Temperature: 0°C to +40°C (32°F to 104°F)
 Grounding System: Negative ground
 Dimensions (W x H x D)
 Installation Size:
 182 x 52 x 150 mm
 (7-3/16" x 2-1/16" x 5-15/16")
 Panel Size: 188 x 58 x 14 mm
 (7-7/16" x 2-5/16" x 5/8")
 Mass: 1.3 kg (2.9 lbs) (excluding accessories)

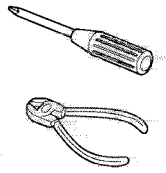
Design and specifications subject to change without notice.

If a kit is necessary for your car, consult your telephone directory for the nearest car audio speciality shop.



Installation/Connection Manual
Manual de instalación/conexión
Manuel d'installation/raccordement

FSUN3105-T631
 [J]



1199HISFLEJES
 EN, SP, FR

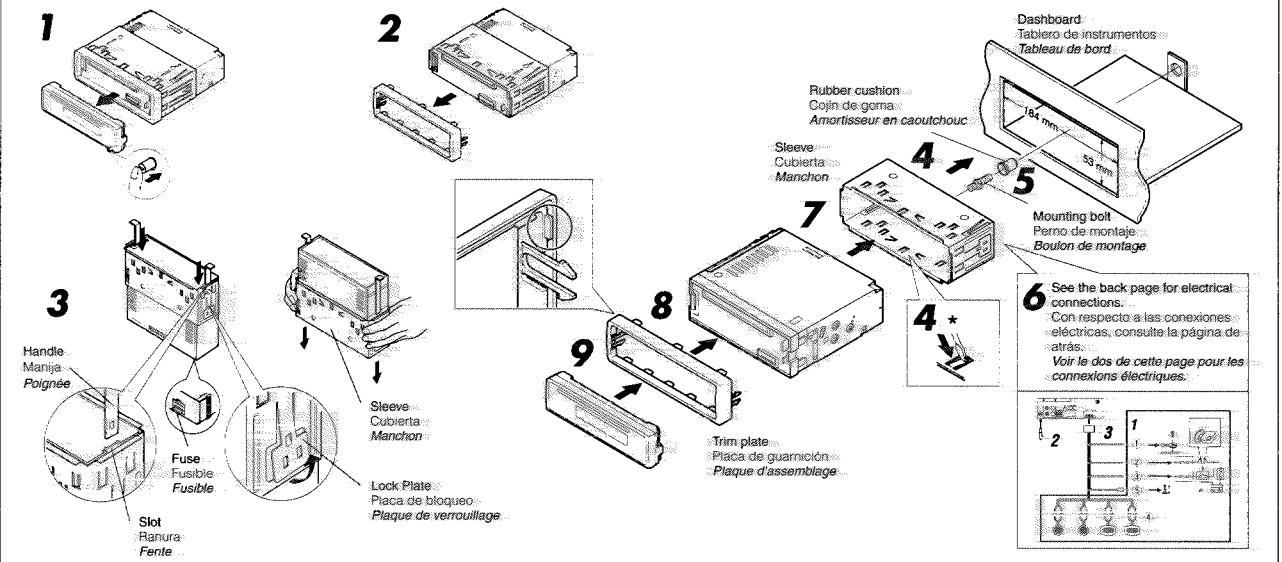
ENGLISH **ESPAÑOL** **FRANÇAIS**

• This unit is designed to operate on 12 volts DC, NEGATIVE ground electrical systems. • Esta unidad está diseñada para funcionar con 12 voltios de CC, con sistemas eléctricos de masa NEGATIVA. • Cet appareil est conçu pour fonctionner sur des sources de courant continu de 12 volts à masse NEGATIVE.

INSTALLATION (IN-DASH MOUNTING) **INSTALACION (MONTAJE EN EL TABLERO DE INSTRUMENTOS)** **INSTALLATION (MONTAGE DANS LE TABLEAU DE BORD)**

• The following illustration shows a typical installation. However, you should make adjustments corresponding to your specific car. If you have any questions or require information regarding installation kits, consult your JVC car audio dealer or a company supplying kits. • La siguiente ilustración muestra una instalación típica. Sin embargo usted deberá efectuar los ajustes correspondientes a su automóvil. Si tiene alguna pregunta o necesita información acerca de las herramientas para instalación, consulte con su concesionario de JVC de equipos de audio para automóviles o a una compañía que suministra tales herramientas. • L'illustration suivante est un exemple d'installation typique. Cependant, vous devez faire les ajustements correspondant à votre voiture particulière. Si vous avez des questions ou avez besoin d'information sur des kits d'installation, consulter votre revendeur d'autoradios JVC ou une compagnie d'approvisionnement.

- | | | |
|---------------------------------------------------------------------------------------------------------------------------------------------------------------------------------------------------------------------------------------------------------------------------------------------------------------------------------------------------------------------------------------------------------------------------------------------------------------------------------------------------------------------------------------------------------------------------------------------------------------------------------------------------------------------------------------------------------------------------------------------------------------------------------------------------------------------------------------------------------------------------------------------------------------------------------------------------------------------------------------------------------------------------------------------------------------------------------------------------------------------------------------------------------------------------------------------------------------------------------------------------------------|----------------------------------------------------------------------------------------------------------------------------------------------------------------------------------------------------------------------------------------------------------------------------------------------------------------------------------------------------------------------------------------------------------------------------------------------------------------------------------------------------------------------------------------------------------------------------------------------------------------------------------------------------------------------------------------------------------------------------------------------------------------------------------------------------------------------------------------------------------------------------------------------------------------------------------------------------------------------------------------------------------------------------------------------------------------------------------------------------------------------------------------------------------------------------------------------------------------------------------------------------------------------------------------------------------------------------------------------------------------------------------------------------------------------------------------------------------------------------------------------------------------------------------------------------------|-------------------------------------------------------------------------------------------------------------------------------------------------------------------------------------------------------------------------------------------------------------------------------------------------------------------------------------------------------------------------------------------------------------------------------------------------------------------------------------------------------------------------------------------------------------------------------------------------------------------------------------------------------------------------------------------------------------------------------------------------------------------------------------------------------------------------------------------------------------------------------------------------------------------------------------------------------------------------------------------------------------------------------------------------------------------------------------------------------------------------------------------------------------------------------------------------------------------------------------------------------------------------------------------------------------------------------------------------------------------------------------------------------------------------------------------------------------------------------------------|
| <p>1 Before mounting: Press LAJ (Control Panel Release button) to detach the control panel.</p> <p>2 Remove the trim plate.</p> <p>3 Remove the sleeve after disengaging the sleeve locks.</p> <p>① Stand the unit.</p> <p>Note: When you stand the unit, be careful not to damage the fuse on the rear.</p> <p>② Insert the 2 handles between the unit and the sleeve, as illustrated, to disengage the sleeve locks.</p> <p>③ Remove the sleeve.</p> <p>Note: Be sure to keep the handles for future use after installing the unit.</p> <p>4 Install the sleeve into the dashboard.</p> <p>• After the sleeve is correctly installed in the dashboard, bend the appropriate tabs to hold the sleeve firmly in place, as illustrated.</p> <p>5 Fix the mounting bolt to the rear of the unit's body and place the rubber cushion over the end of the bolt.</p> <p>6 Do the required electrical connections explained on the back of this instructions.</p> <p>7 Slide the unit into the sleeve until it is locked.</p> <p>8 Attach the trim plate so that the projection on the trim plate is fixed to the left side of the unit.</p> <p>9 Attach the control panel.</p> | <p>1 Antes de instalar: Presione LAJ (botón de liberación del panel de control) para desmontar el panel de control.</p> <p>2 Retire la placa de guarnición.</p> <p>3 Retire la cubierta después de desenganchar los retenes de la cubierta.</p> <p>① Ponga la unidad vertical.</p> <p>Nota: Al poner la unidad vertical, tenga cuidado de no dañar el fusible provisto en la parte posterior.</p> <p>② Inserte las dos asas entre la unidad y la cubierta tal como en la ilustración y desenganche los retenes de la cubierta.</p> <p>③ Retire la cubierta.</p> <p>Nota: Después de instalar la unidad, asegúrese de guardar las asas para uso futuro.</p> <p>4 Instale la cubierta en el tablero de instrumentos.</p> <p>• Después de que la cubierta esté correctamente instalada en el tablero de instrumentos, doble las lengüetas correspondientes para sostener la cubierta firmemente en su lugar, tal como se muestra.</p> <p>5 Fije el perno de montaje a la parte trasera del cuerpo de la unidad y coloque el cojín de goma sobre el extremo del perno.</p> <p>6 Realice las conexiones eléctricas requeridas en base a las explicaciones que figuran en la parte de atrás de estas instrucciones.</p> <p>7 Deslice la unidad dentro de la cubierta hasta que quede trabada.</p> <p>8 Coloque la placa de guarnición de manera que el saliente de la misma quede colocado en el lateral izquierdo de la unidad.</p> <p>9 Coloque el panel de control.</p> | <p>1 Avant le montage: Appuyez sur LAJ (touche de libération du panneau de commande) pour détacher le panneau de commande.</p> <p>2 Retirer la plaque d'assemblage.</p> <p>3 Libérer les verrous du manchon et retirer le manchon.</p> <p>① Poser l'appareil à la verticale.</p> <p>Remarque: Lorsque vous mettez l'appareil à la verticale, faire attention de ne pas endommager le fusible situé sur le fond.</p> <p>② Insérer les 2 poignées entre l'appareil et le manchon comme indiqué pour désengager les verrous de manchon.</p> <p>③ Retirer le manchon.</p> <p>Remarque: S'assurer de garder les poignées pour une utilisation ultérieure, après l'installation de l'appareil.</p> <p>4 Installer le manchon dans le tableau de bord.</p> <p>• Après installation correcte du manchon dans le tableau de bord, plier les bonnes pattes pour maintenir fermement le manchon en place, comme montré.</p> <p>5 Monter le boulon de montage sur l'arrière du corps de l'appareil puis passer l'amortisseur en caoutchouc sur l'extrémité du boulon.</p> <p>6 Réaliser les connexions électriques expliquées au dos de cette page.</p> <p>7 Faire glisser l'appareil dans le manchon jusqu'à ce qu'il soit verrouillé.</p> <p>8 Attachez la plaque d'ajustage de façon que la projection de la plaque soit fixée sur le côté gauche de l'appareil.</p> <p>9 Remonter le panneau de commande.</p> |
|---------------------------------------------------------------------------------------------------------------------------------------------------------------------------------------------------------------------------------------------------------------------------------------------------------------------------------------------------------------------------------------------------------------------------------------------------------------------------------------------------------------------------------------------------------------------------------------------------------------------------------------------------------------------------------------------------------------------------------------------------------------------------------------------------------------------------------------------------------------------------------------------------------------------------------------------------------------------------------------------------------------------------------------------------------------------------------------------------------------------------------------------------------------------------------------------------------------------------------------------------------------|----------------------------------------------------------------------------------------------------------------------------------------------------------------------------------------------------------------------------------------------------------------------------------------------------------------------------------------------------------------------------------------------------------------------------------------------------------------------------------------------------------------------------------------------------------------------------------------------------------------------------------------------------------------------------------------------------------------------------------------------------------------------------------------------------------------------------------------------------------------------------------------------------------------------------------------------------------------------------------------------------------------------------------------------------------------------------------------------------------------------------------------------------------------------------------------------------------------------------------------------------------------------------------------------------------------------------------------------------------------------------------------------------------------------------------------------------------------------------------------------------------------------------------------------------------|-------------------------------------------------------------------------------------------------------------------------------------------------------------------------------------------------------------------------------------------------------------------------------------------------------------------------------------------------------------------------------------------------------------------------------------------------------------------------------------------------------------------------------------------------------------------------------------------------------------------------------------------------------------------------------------------------------------------------------------------------------------------------------------------------------------------------------------------------------------------------------------------------------------------------------------------------------------------------------------------------------------------------------------------------------------------------------------------------------------------------------------------------------------------------------------------------------------------------------------------------------------------------------------------------------------------------------------------------------------------------------------------------------------------------------------------------------------------------------------------|



TROUBLESHOOTING

- **The fuse blows.**
 - Are the red and black leads connected correctly?
- **Power cannot be turned on.**
 - Is the yellow lead connected?
- **No sound from the speakers.**
 - Is the speaker output lead short-circuited?
- **Sound is distorted.**
 - Is the speaker output lead grounded?
 - Are the terminals of L and R speakers grounded in common?
- **Unit becomes hot.**
 - Is the speaker output lead grounded?
 - Are the terminals of L and R speakers grounded in common?

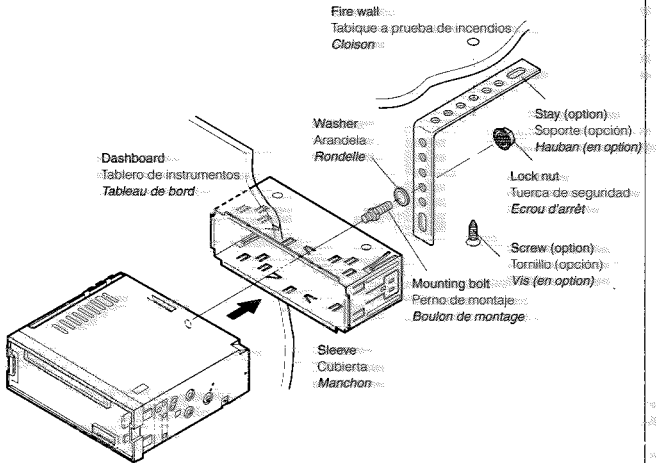
LOCALIZACION DE AVERIAS

- **El fusible se quema.**
 - ¿Están los conductores rojo y negro correctamente conectados?
- **No es posible conectar la alimentación.**
 - ¿Está el cable amarillo conectado?
- **No sale sonido de los altavoces.**
 - ¿Está el cable de salida del altavoz cortocircuitado?
- **El sonido presenta distorsión.**
 - ¿Está el cable de salida del altavoz conectado a masa?
 - ¿Están los terminales de los altavoces L y R conectados a una masa común?
- **La unidad se calienta.**
 - ¿Está el cable de salida del altavoz conectado a masa?
 - ¿Están los terminales de los altavoces L y R conectados a una masa común?

EN CAS DE DIFFICULTÉS

- **Le fusible saute.**
 - Les fils rouge et noir sont-ils raccordés correctement?
- **L'appareil ne peut pas être mise sous tension.**
 - Le fil jaune est-elle raccordée?
- **Pas de son des haut-parleurs.**
 - Le fil de sortie de haut-parleur est-il court-circuité?
- **Le son est déformé.**
 - Le fil de sortie de haut-parleur est-il à la masse?
 - Les bornes des haut-parleurs gauche et droit sont-elles mises ensemble à la masse?
- **L'appareil devient chaud.**
 - Le fil de sortie de haut-parleur est-il à la masse?
 - Les bornes des haut-parleurs gauche et droit sont-elles mises ensemble à la masse?

- When using the optional stay
- Cuando emplea un soporte opcional
- Lors de l'utilisation du hauban en option

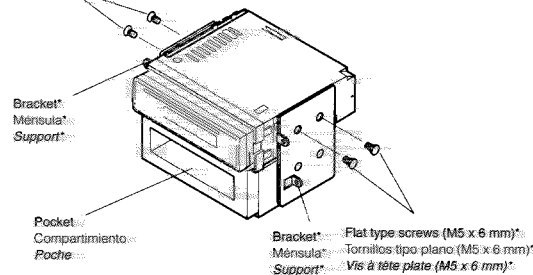


- When installing the unit without using the sleeve
- Instalación de la unidad sin utilizar la cubierta
- Lors de l'installation de l'appareil sans utiliser de manchon

In a Toyota for example, first remove the car radio and install the unit in its place.
 En un Toyota por ejemplo, primero extraiga la radio del automóvil y luego instale la unidad en su lugar.
 Par exemple dans une Toyota, retirer d'abord l'autoradio et installer l'appareil à la place.

Flat type screws (M5 x 6 mm)*
 Tornillos tipo plano (M5 x 6 mm)*
 Vis à tête plate (M5 x 6 mm)*

*Not included with this unit.
 *No suministrado con esta unidad.
 *Non fourni avec cet appareil.



Note: When installing the unit on the mounting bracket, make sure to use the 6 mm-long screws. If longer screws are used, they could damage the unit.

Nota: Cuando instala la unidad en la ménsula de montaje, asegúrese de utilizar los tornillos de 6 mm de longitud. Si se utilizan tornillos más largos, éstos pueden dañar la unidad.

Remarque: Lors de l'installation de l'appareil sur le support de montage, s'assurer d'utiliser des vis d'une longueur de 6 mm. Si des vis plus longues sont utilisées, elles peuvent endommager l'appareil.

Removing the unit

- Before removing the unit, release the rear section.

- 1 Remove the control panel.
- 2 Remove the trim plate.
- 3 Insert the 2 handles into the slots, as shown. Then, while gently pulling the handles away from each other, slide out the unit. (Be sure to keep the handles after installing it.)

Extracción de la unidad

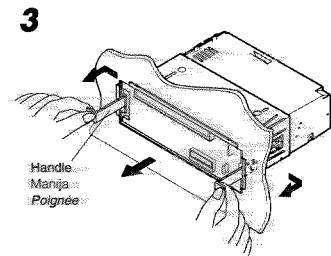
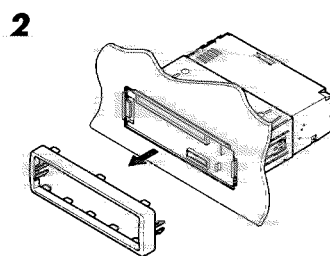
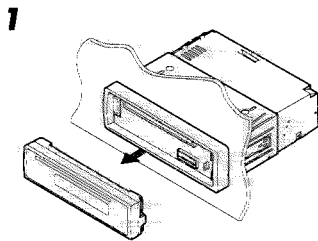
- Antes de extraer la unidad, libere la sección trasera.

- 1 Extraiga el panel de control.
- 2 Retire la placa de guarnición.
- 3 Inserte las 2 manijas entre las ranuras, como se muestra. Luego, separe gentilmente las manijas y extraiga la unidad. (Asegúrese de conservar las manijas después de instalarlo.)

Retrait de l'appareil

- Avant de retirer l'appareil, libérer la section arrière.

- 1 Retirer le panneau de commande.
- 2 Retirer la plaque d'assemblage.
- 3 Introduire les deux poignées dans les fentes, comme montré. Puis, tout en tirant doucement les poignées écartées, faire glisser l'appareil pour le sortir. (S'assurer de conserver les poignées après l'installation de l'appareil.)



Parts list for installation and connection

The following parts are provided with this unit.
 After checking them, please set them correctly.

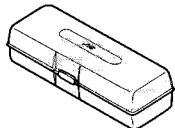
Lista de piezas para instalación y conexión

Con esta unidad se suministran las siguientes piezas.
 Después de inspeccionarlas, colóquelas correctamente.

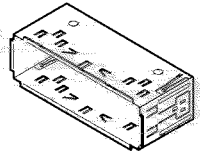
Liste des pièces pour l'installation et raccordement

Les pièces suivantes sont fournies avec cet appareil.
 Après vérification, veuillez les placer correctement.

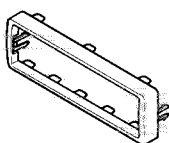
Hard case
 Estuche duro
 Etui de transport



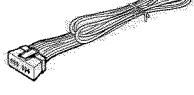
Sleeve
 Cubierta
 Manchon



Trim plate
 Placa de guarnición
 Plaque d'assemblage



Power cord
 Cordón de alimentación
 Cordon d'alimentation



Handles
 Manijas
 Poignées



Washer (ø5)
 Arandela (ø5)
 Rondelle (ø5)



Lock nut (M5)
 Tuerca de seguridad (M5)
 Ecrou d'arrêt (M5)



Mounting bolt (M5 x 20 mm)
 Perno de montaje (M5 x 20 mm)
 Boulon de montage (M5 x 20 mm)

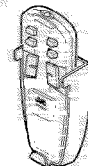


Rubber cushion
 Cojín de goma
 Amortisseur en caoutchouc



FOR KD-S600
 PARA KD-S600
 POUR LES KD-S600

Remote controller and holder
 Mando a distancia y soporte
 Télécommande et support

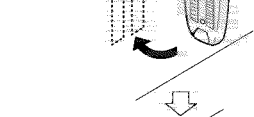


Batteries
 Pilas

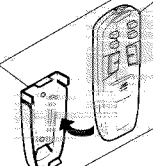
R03(UM-4)/AAA(24F)

Installation : Remote Controller (FOR KD-S600)
Instalación : Mando a distancia (PARA KD-S600)
Installation : Télécommande (POUR LES KD-S600)

Dashboard, etc.
 Tablero de instrumentos, etc.
 Tableau de bord, etc.



Holder
 Soporte
 Support



Remote controller
 Mando a distancia
 Télécommande

- Before attaching the double-faced tape, wipe and clean the place where you plan to attach it.
- Antes de adherir la cinta de doble cara, limpie el sitio de instalación con un paño.
- Avant d'attacher la bande double face, essuyez et nettoyez l'emplacement où vous projetez de l'attacher.

ELECTRICAL CONNECTIONS

CONEXIONES ELECTRICAS

RACCORDEMENTS ELECTRIQUES

To prevent short circuits, we recommend that you disconnect the battery's negative terminal and make all electrical connections before installing the unit. If you are not sure how to install this unit correctly, have it installed by a qualified technician.

Para evitar cortocircuitos, recomendamos que desconecte el terminal negativo de la batería y que efectúe todas las conexiones eléctricas antes de instalar la unidad. Si usted no está seguro de cómo instalar correctamente la unidad, hágala instalar por un técnico cualificado.

Pour éviter tout court-circuit, nous vous recommandons de débrancher la borne négative de la batterie et d'effectuer tous les raccordements électriques avant d'installer l'appareil. Si l'on n'est pas sûr de pouvoir installer correctement cet appareil, le faire installer par un technicien qualifié.

Note:

This unit is designed to operate only on 12 volts DC, NEGATIVE ground electrical systems. If your vehicle does not have this system, a voltage inverter is required, which can be purchased at JVC car audio dealers.

Nota:

Esta unidad está diseñada para funcionar con 12 voltios de CC, con sistemas eléctricos de masa NEGATIVA solamente. Si su vehículo no posee este sistema, será necesario un inversor de tensión, que puede ser adquirido en los concesionarios de JVC de equipos de audio para automóviles.

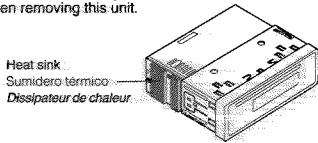
Remarque:

Cet appareil est conçu pour fonctionner sur des sources de courant continu de 12 volts à masse NEGATIVE seulement. Si votre véhicule n'offre pas ce type d'alimentation, il vous faut un convertisseur de tension, que vous pouvez acheter chez un revendeur d'autoradios JVC.

- Replace the fuse with one of the specified rating. If the fuse blows frequently, consult your JVC car audio dealer.
- If noise is a problem... This unit incorporates a noise filter in the power circuit. However, with some vehicles, clicking or other unwanted noise may occur. If this happens, connect the unit's rear ground terminal (See connection diagram below) to the car's chassis using shorter and thicker cords, such as copper braiding or gauge wire. If noise still persists, consult your JVC car audio dealer.
- Maximum input of the speakers should be more than 40 watts at the rear and 40 watts at the front, with an impedance of 4 to 8 ohms.
- Be sure to ground this unit to the car's chassis.
- The heat sink becomes very hot after use. Be careful not to touch it when removing this unit.

- Reemplace el fusible por uno con la corriente especificada. Si el fusible se quemase frecuentemente, consulte con su concesionario de JVC de equipos de audio para automóviles.
- Si el ruido fuese un problema... Esta unidad tiene un filtro de ruido en el circuito de alimentación. Sin embargo, en algunos vehículos, pueden producirse chasquidos u otros ruidos indeseados. En tal caso conecte el terminal de tierra posterior (Ver diagrama de conexión abajo) del receptor al chasis del automóvil, utilizando cordones más gruesos y cortos tales como alambre de cobre trenzado o de grueso calibre. Si el ruido persiste, consulte a su concesionario de JVC de equipos de audio para automóvil.
- La entrada máxima de los altavoces traseros debe ser mayor de 40 vatios y la de los delanteros de 40 vatios, con una impedancia de 4 a 8 ohmios.
- Asegúrese de conectar esta unidad a tierra en el chasis del automóvil.
- El sumidero térmico estará muy caliente después del uso. Asegúrese de no tocarlo al desmontar esta unidad.

- Remplacer le fusible par un de la valeur précisée. Si le fusible saute souvent, consulter votre revendeur d'autoradios JVC.
- Si le bruit est un problème... Cet appareil incorpore un filtre de bruit dans le circuit d'alimentation. Cependant, avec certains véhicules, quelques claquements ou autres bruits non désirés risquent de se produire. Si cela arrive, raccorder la borne de masse arrière de l'appareil au châssis de la voiture (voir le schéma de raccordement ci-dessous) en utilisant des cordons les plus gros et les plus courts possibles telle qu'une barre de cuivre ou une tresse. Si le bruit persiste, consulter votre revendeur d'autoradios JVC.
- La puissance admissible des haut-parleurs doit être supérieure à 40 watts à l'arrière et à 40 watts l'avant, avec une impédance de 4 à 8 ohms.
- S'assurer de raccorder la mise à la masse de cet appareil au châssis de la voiture.
- Le radiateur devient très chaud après usage. Faire attention de ne pas le toucher en retirant cet appareil.



A Typical Connections / Conexiones típicas / Raccordements typiques

Before connecting: Check the wiring in the vehicle carefully not to fail in connecting this unit. Incorrect connection may cause a serious damage to this unit.

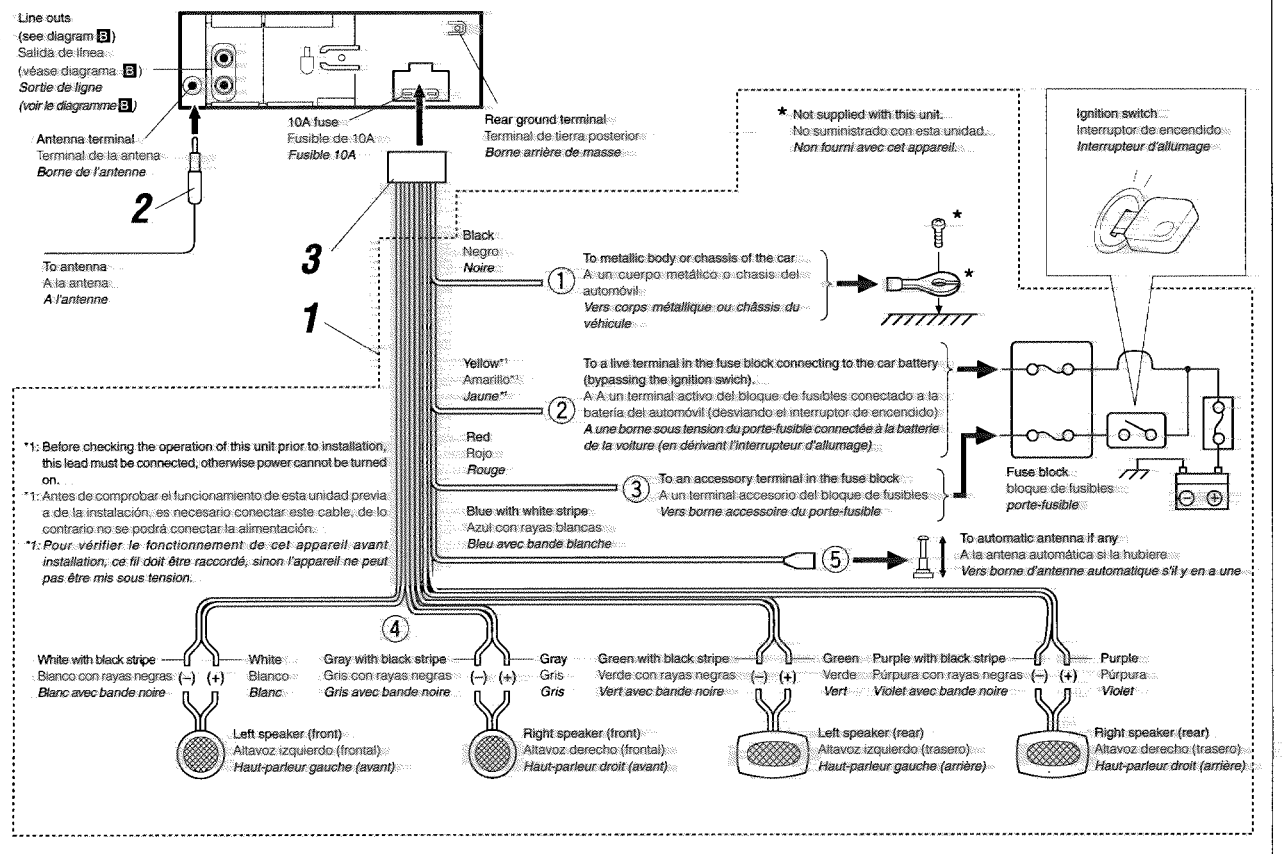
Antes de la conexión: Verifique atentamente el conexionado del vehículo para no cometer errores al conectar esta unidad. Una conexión incorrecta podría producir daños graves en la unidad.

Avant de commencer la connexion: vérifiez attentivement le câblage du véhicule pour ne pas connecter incorrectement cet appareil. Une connexion incorrecte peut endommager sérieusement l'appareil.

- 1 Connect the colored leads of the power cord to the car battery, speakers and automatic antenna (if any) in the following sequence:
 - 1 Black: ground
 - 2 Yellow: to car battery (constant 12V)
 - 3 Red: to an accessory terminal
 - 4 Others (except blue with white stripe): to speakers
 - 5 Blue with white stripe: to automatic antenna (200mA max.)
- 2 Connect the antenna cord.
- 3 Finally connect the wiring harness to the unit.

- 1 Conecte los conductores de color del cable de alimentación a la batería del automóvil, altavoces y antena automática (si la hubiera) en la secuencia siguiente:
 - 1 Negro: a tierra.
 - 2 Amarillo: a la batería del automóvil (12V constantes).
 - 3 Rojo: a un terminal de accesorio.
 - 4 Otros, excepto azul con rayas blancas: a los altavoces.
 - 5 Azul con rayas blancas: a la antena automática (200mA máx.).
- 2 Conecte el cable de antena.
- 3 Por último, conecte a la unidad el cableado preformado.

- 1 Connectez les fils de couleur du cordon d'alimentation à la batterie de la voiture, aux enceintes et à l'antenne automatique (s'il y en a une) dans l'ordre suivant:
 - 1 Noir: a la masse
 - 2 Jaune: a la batterie de la voiture (12V constant)
 - 3 Rouge: a la prise accessoire
 - 4 Autres fils à l'exception du fil bleu à bandes blanches: aux enceintes
 - 5 Bleu à bandes blanches: à l'antenne automatique (200mA max.)
- 2 Connectez le cordon d'antenne.
- 3 Finalement, connectez le faisceau de fils à l'appareil.



PRECAUTIONS on power supply and speaker connections:

- DO NOT connect the speaker leads of the power cord to the car battery; otherwise, the unit will be seriously damaged.
- Connect the black lead (ground), yellow lead (to car battery, constant 12V), and red lead (to an accessory terminal) correctly.
- BEFORE connecting the speaker leads of the power cord to the speakers, check the speaker wiring in your car.
- If the speaker wiring in your car is as illustrated in Fig. 1 and Fig. 2 below, DO NOT connect the unit using that original speaker wiring. If you do, the unit will be seriously damaged. Redo the speaker wiring so that you can connect the unit to the speakers as illustrated in Fig. 3.
- If the speaker wiring in your car is as illustrated in Fig. 3, you can connect the unit using the original speaker wiring in your car.
- If you are not sure of the speaker wiring of your car, consult your car dealer.

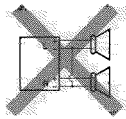


Fig. 1

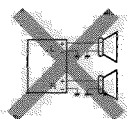


Fig. 2

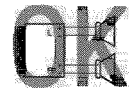


Fig. 3

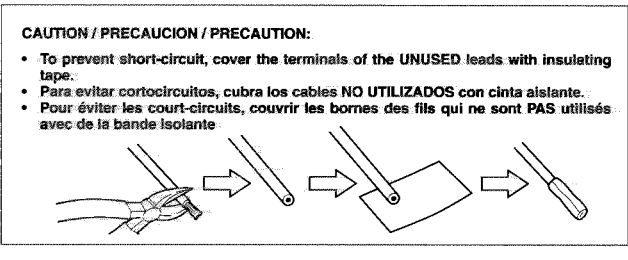
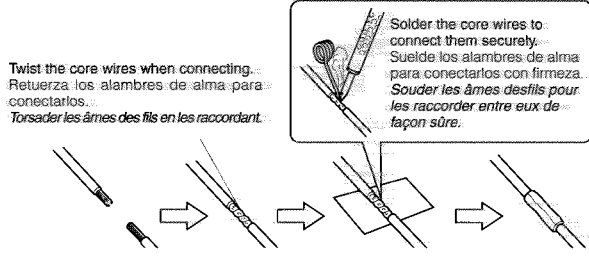
PRECAUCIONES sobre las conexiones de la fuente de alimentación y de los altavoces:

- NO conecte los conductores de altavoz del cable de alimentación a la batería de automóvil, pues podrían producirse graves daños en la unidad.
- Conecte correctamente el conductor negro (a tierra), el conductor amarillo (a la batería del automóvil, 12V constantes), y el conductor rojo (a un terminal de accesorio).
- ANTES de conectar a los altavoces los conductores de altavoz del cable de alimentación, verifique el conexionado de altavoz de su automóvil.
- Si el conexionado de altavoz de su automóvil es como se indica en las Figs. 1 y 2 de abajo, NO conecte la unidad utilizando ese conexionado de altavoz original. Si lo hace, se producirán daños graves en la unidad. Vuelva a efectuar el conexionado de altavoz de manera que pueda conectar la unidad a los altavoces de la manera indicada en la Fig. 3.
- Si el conexionado de altavoz de su automóvil es como se indica en la Fig. 3, podrá conectar la unidad utilizando el conexionado de altavoz original de su automóvil.
- Si tiene dudas sobre el conexionado de altavoz de su automóvil, consulte con su concesionario.

PRECAUTIONS sur l'alimentation et la connexion des enceintes:

- NE CONNECTEZ PAS les fils d'enceintes du cordon d'alimentation à la batterie; sinon, l'appareil serait sérieusement endommagé.
- Connectez correctement le fil noir (à la masse), le fil jaune (à la batterie de la voiture, 12V constant) et le fil rouge (à la prise accessoire).
- AVANT de connecter les fils d'enceintes du cordon d'alimentation aux enceintes, vérifiez le câblage des enceintes de votre voiture.
- Si le câblage des enceintes de votre voiture est réalisé comme montré sur la Fig. 1 ou Fig. 2 ci-dessous, NE CONNECTEZ PAS l'appareil en utilisant ce câblage original d'enceintes. Si vous le faites, l'appareil sera sérieusement endommagé. Recommencez le câblage des enceintes de façon que vous puissiez connecter l'appareil aux enceintes comme montré sur la Fig. 3.
- Si le câblage des enceintes de votre voiture est comme montré sur la Fig. 3, vous pouvez connecter l'appareil en utilisant ce câblage original d'enceintes pour votre voiture.
- Si vous n'êtes pas sûrs du câblage d'enceintes de votre voiture, consultez le concessionnaire de votre voiture.

Connecting the leads / Conexión de los conductores / Raccordement des fils



B Connections Adding Other Equipment / Conexiones para añadir otros equipos / Raccordement pour ajouter d'autres appareils

You can connect an amplifier and other equipment to upgrade your car stereo system.

- Connect the remote lead (blue with white stripe) to the remote lead of the other equipment so that it can be controlled through this unit.
- For amplifier only:
 - Connect this unit's line-out terminals to the amplifier's line-in terminals.
 - Disconnect the speakers from this unit, connect them to the amplifier. Leave the speaker leads of this unit unused. (Cover the terminals of these unused leads with insulating tape, as illustrated above.)

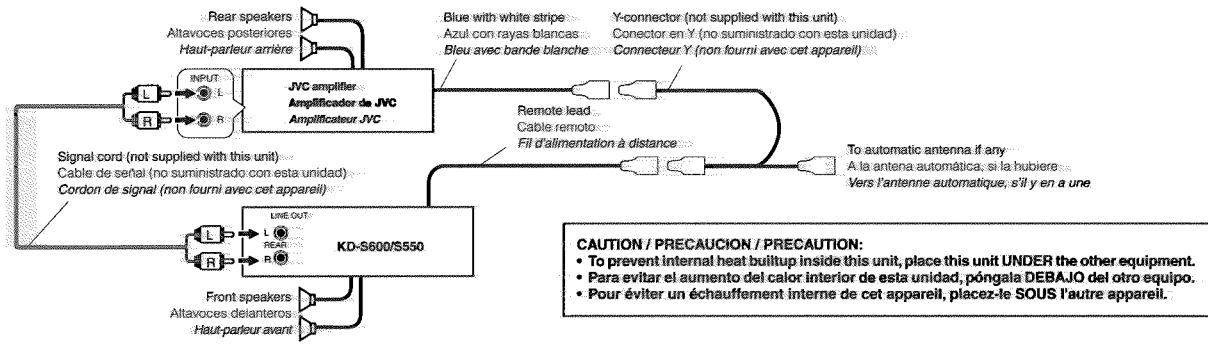
Usted podrá conectar un amplificador y otros equipos para mejorar el sistema estereo de su automóvil.

- Conecte el cable remoto (azul con rayas blancas) al cable remoto del otro equipo para que pueda ser controlado a través de esta unidad.
- Sólo para el amplificador:
 - Conecte los terminales de salida de línea de esta unidad con los terminales de entrada de línea del amplificador.
 - Desconecte los altavoces de esta unidad y conéctelos al amplificador. Los cables de los altavoces de esta unidad quedan sin usar. (Cubra los terminales de estos cables sin usar con cinta aislante, tal como se indica en la figura de arriba).

Vous pouvez connecter un amplificateur ou autre appareil pour améliorer votre système autoradio.

- Connecter le fil d'alimentation à distance (bleu avec des bandes blanches) au fil d'alimentation à distance de l'autre appareil de façon qu'il puisse être contrôlé par cet appareil.
- Pour l'amplificateur seulement:
 - Raccorder les bornes de sortie ligne de cet appareil aux bornes d'entrée ligne de l'amplificateur.
 - Déconnectez les enceintes de cet appareil et connectez-les à l'amplificateur. Laissez les fils d'enceintes de cet appareil inutilisés. (Recouvrir les extrémités de ces fils inutilisés avec de la bande isolante comme montré ci-dessus.)

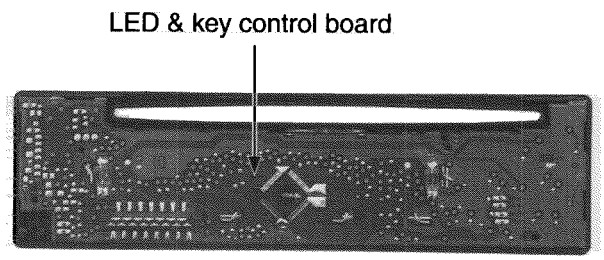
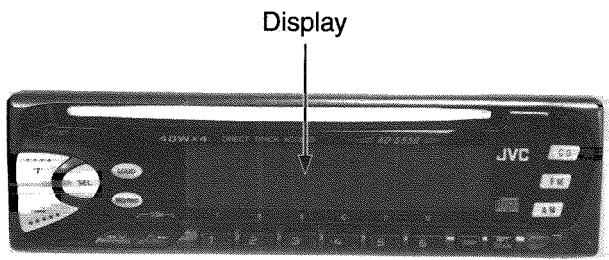
Amplifier / Amplificador / Amplificateur



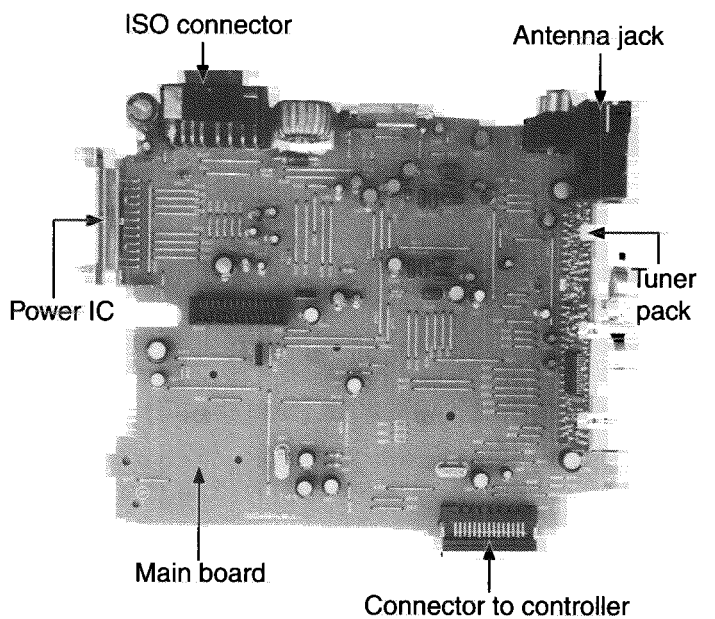
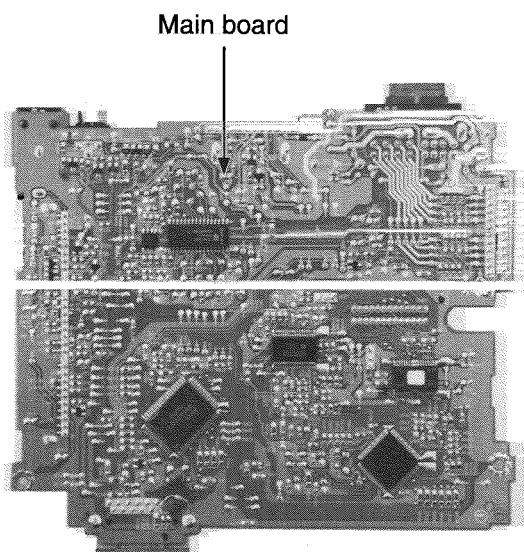
-MEMO-

Location of main parts

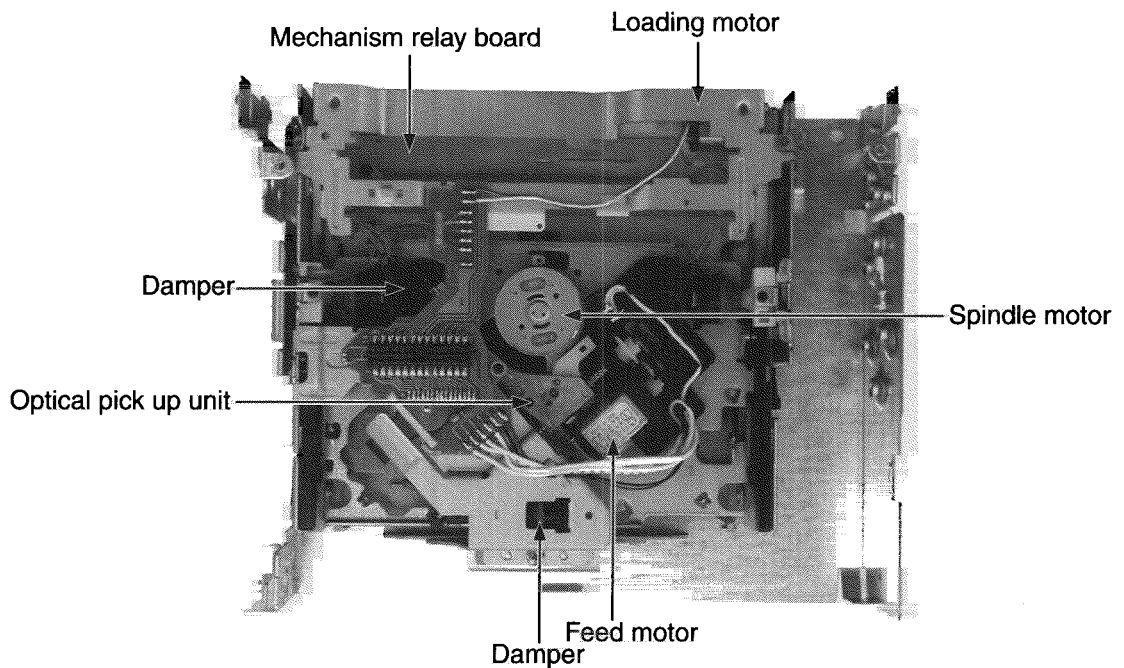
■ Control unit



■ Main unit



■ CD mechanism



Disassembly method

■ Removing the front panel unit

(See Fig.1)

1. Press the release switch and remove the front panel unit in the direction of the arrow.

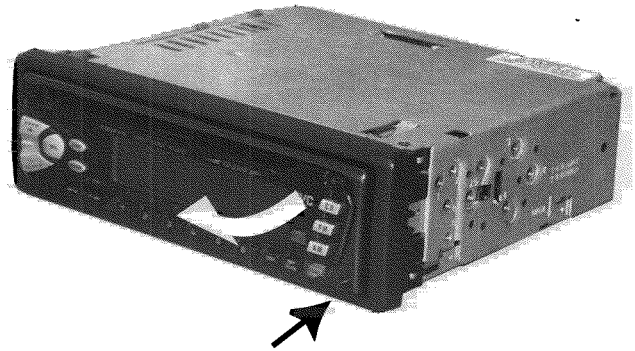
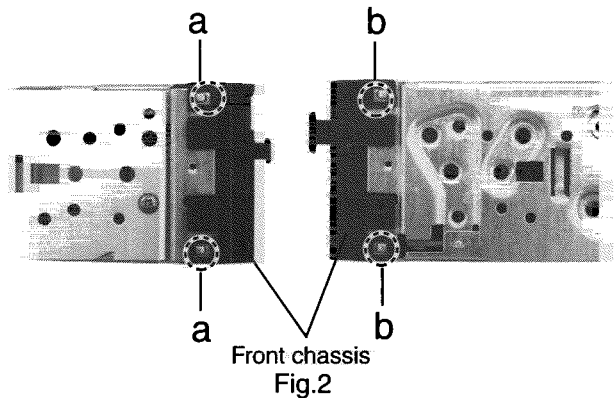


Fig. 1

■ Removing the front chassis (See Fig.2)

1. Insert a screwdriver to the joints a on the side of the front chassis and two joints b on the right side, then detach the front chassis toward the front side.



Front chassis
Fig. 2

■ Removing the heat sink (See Fig.3)

1. Remove the three screws A attaching the heat sink on the left side of the body, and remove the heat sink.

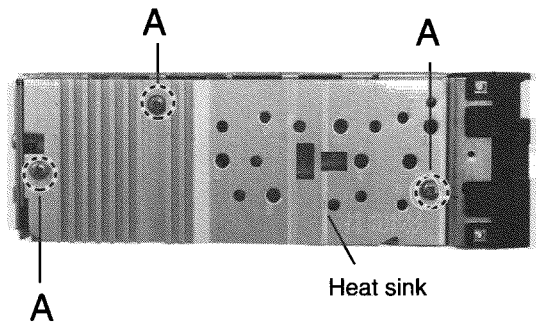


Fig. 3

■ Removing the bottom cover (See Fig.4)

1. Turn the body upside down.
2. Insert a screwdriver to the two joints c and two joints d on both sides of the body and the joint e on the back of the body, then detach the bottom cover from the body.

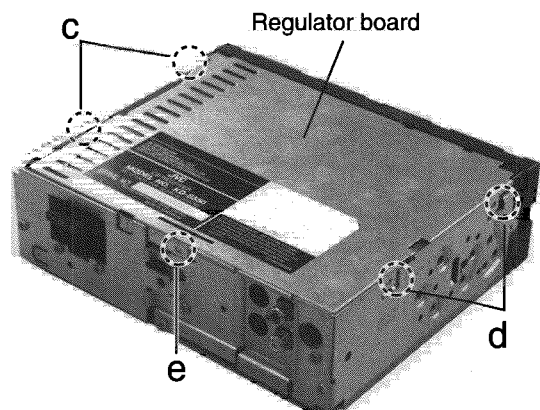


Fig. 4

**■ Removing the main amplifier board
(See Fig.5 and 6)**

1. Remove the front chassis.
2. Remove the bottom cover.
3. Remove the two screws B attaching the main amplifier board assembly on the bottom of the body.
4. Remove the three screws C attaching the main amplifier board assembly on the back of the body.
5. Disconnect connector CN501 on the main amplifier board assembly from the CD mechanism assembly.

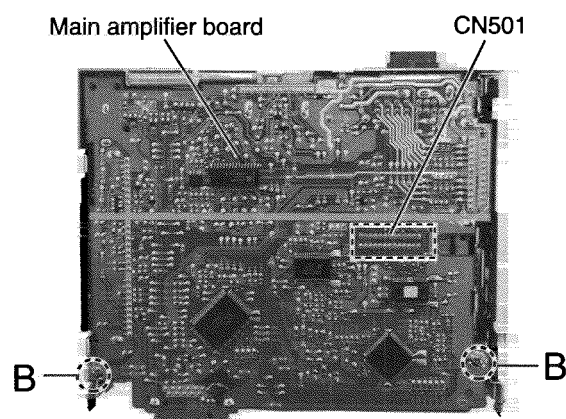


Fig. 5

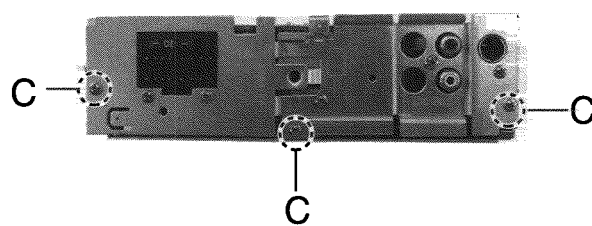


Fig. 6

**■ Removing the CD mechanism assembly
(See Fig.7)**

1. Remove the front chassis.
2. Remove the bottom cover.
3. Remove the main amplifier board assembly.
4. Remove the three screws D attaching the CD mechanism assembly from the top cover.

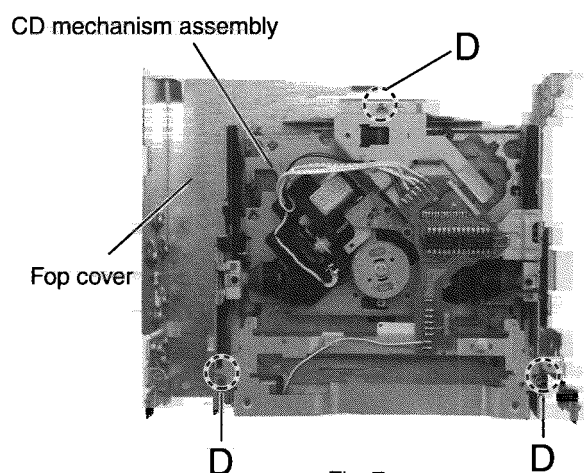


Fig. 7

**■ Removing the control switch board
(See Fig.8 and 9)**

1. Remove the front chassis.
2. Remove the four screws E attaching the rear cover on the back of the front panel unit.
3. Remove the control switch board from the front panel unit.

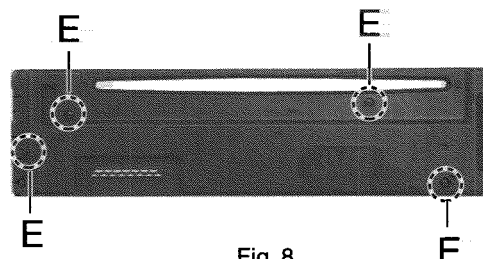


Fig. 8

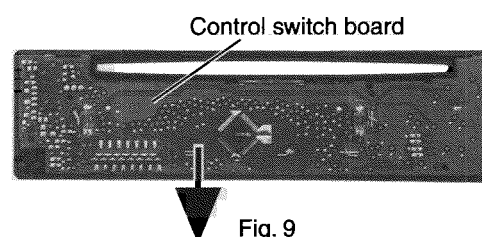


Fig. 9

<CD mechanism section>

- Prior to disassembling the CD mechanism, remove the following parts.
- The front panel unit and the front chassis (Refer to Fig.1 and 2)
- The heat sink (Refer to Fig.3)
- The bottom cover (Refer to Fig.4)
- The main amplifier board (Refer to Fig.5 and 6)
- The CD mechanism ass'y (Refer to Fig.7)

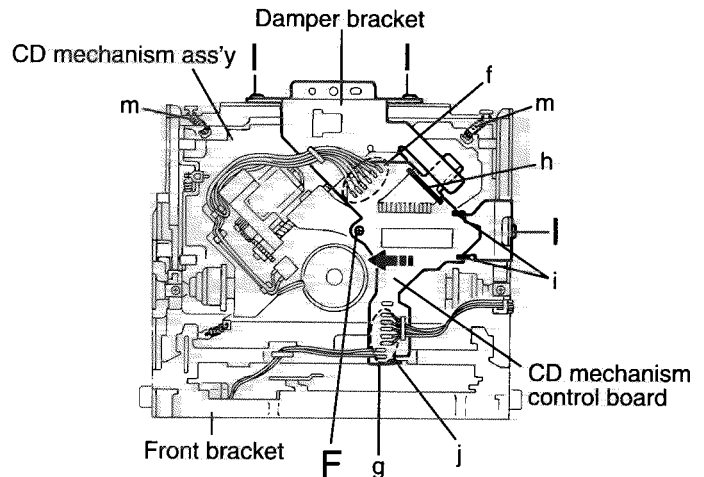


Fig.10

■ Removing the CD mechanism control board(See Fig.10 and 11)

1. Unsolder the part f and g on the CD mechanism control board.
2. Remove the stator fixing the CD mechanism control board and the damper bracket (To remove the stator smoothly, pick up the center part).

Remove the screw F attaching the CD mechanism control board.

Remove the CD mechanism control board in the direction of the arrow while releasing it from the two damper bracket slots i and the front bracket slot j.

Disconnect the flexible wire from connector on the pickup unit.

ATTENTION: Turn the FD gear in the direction of the arrow to move the entire pickup unit to the appropriate position where the flexible wire of the CD mechanism unit can be disconnected easily (Refer to Fig.11).

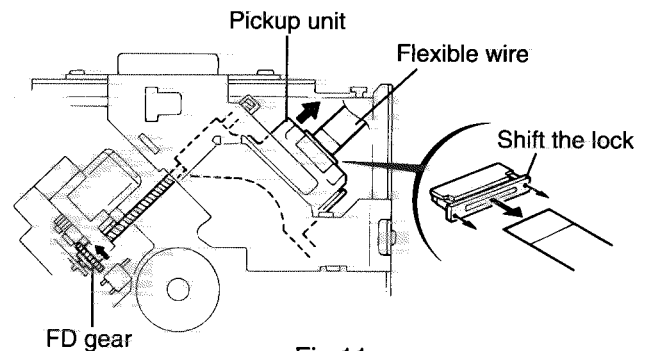


Fig.11

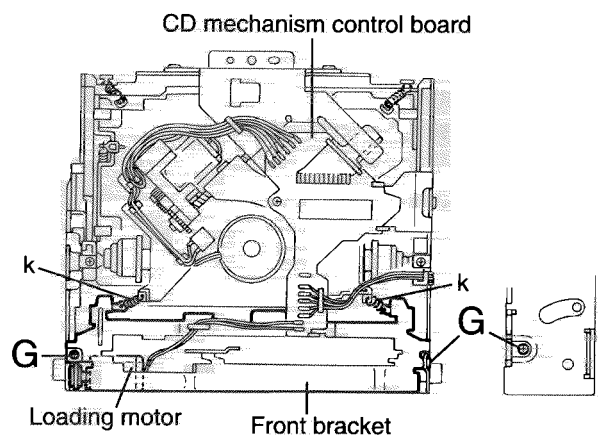


Fig.12

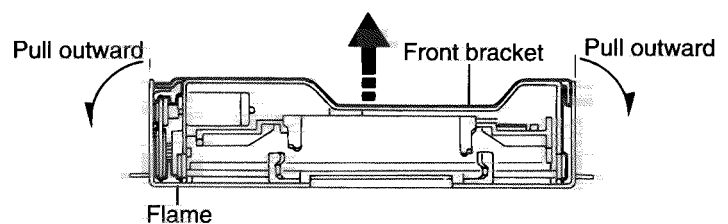


Fig.13

**■ Removing the loading motor
(See Fig.12 to 14)**

- Prior to performing the following procedure, remove the CD mechanism control board.
1. Remove the two springs k attaching the CD mechanism ass'y and the front bracket.
 2. Remove the two screws G and the front bracket while pulling the flame outward.
 3. Remove the belt and the screw H from the loading motor.

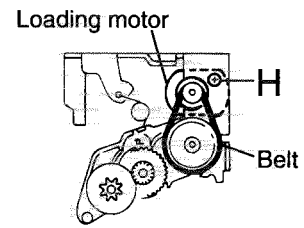


Fig.14

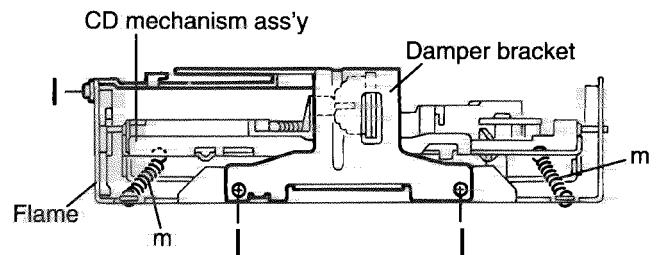


Fig.15

**■ Removing the CD mechanism ass'y
(See Fig.10, 15 to 18)**

- Prior to performing the following procedure, remove the CD mechanism control PWB and the front bracket (loading motor).
1. Remove the three screws I and the damper bracket.
 2. Raise the both sides fix arms and move the fix plates in the direction of the arrow to place the four shafts I as shown in Fig.17 and 18.
 3. Remove the CD mechanism ass'y and the two springs m attaching the flame.
 4. Remove the two screws J and both sides rear damper brackets from the dampers. Detach the CD mechanism ass'y from the left side to the right side.

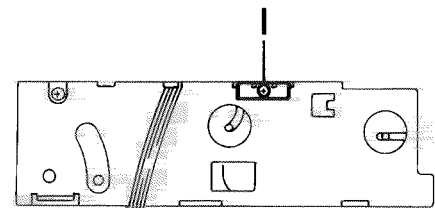


Fig.16

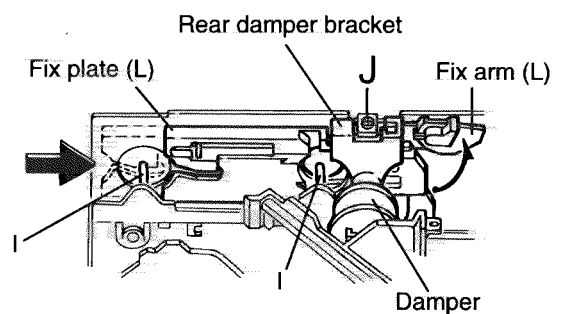


Fig.17

ATTENTION: The CD mechanism ass'y can be removed if only the rear damper bracket on the left side is removed.

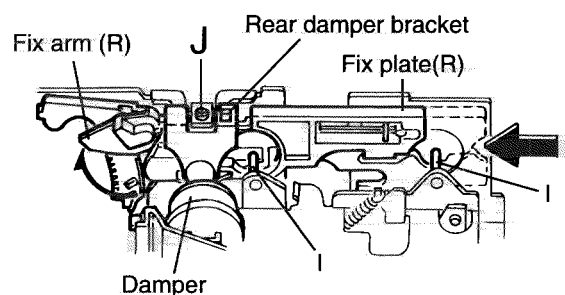


Fig.18

■ Removing the feed motor ass'y
(See Fig.19)

- Prior to performing the following procedure, remove the CD mechanism control board, the front bracket (loading motor) and the CD mechanism ass'y.

1. Remove the two screws K and the feed motor ass'y.

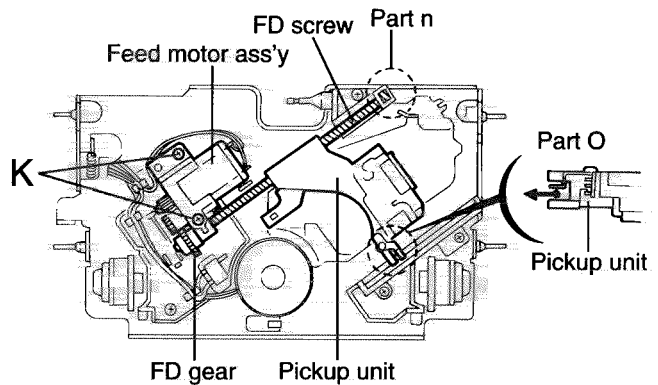


Fig.19

■ Removing the pickup unit
(See Fig.19 and 20)

- *Prior to performing the following procedure, remove the CD mechanism control board, the front bracket (loading motor), the CD mechanism ass'y and the feed motor ass'y.

1. Detach the FD gear part of the pickup unit upward. Then remove the pickup unit while pulling out the part n of the FD screw.

ATTENTION: When reattaching the pickup unit, reattach the part o of the pickup unit, then the part n of the FD screw.

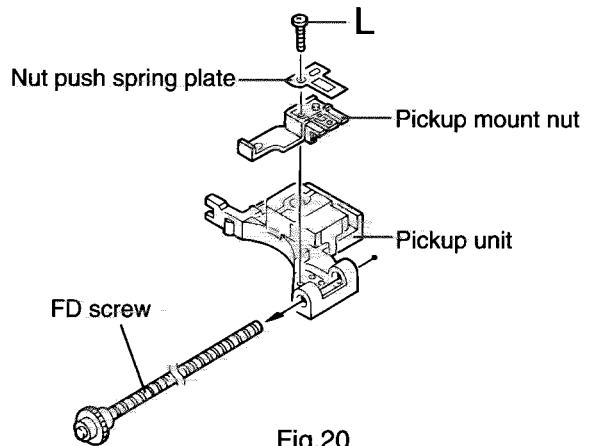


Fig.20

2. Remove the screw L attaching the nut push spring plate and the pickup mount nut from the pickup unit. Pull out the FD screw.

■ Removing the spindle motor
(See Fig.21 and 22)

- Prior to performing the following procedure, remove the CD mechanism control board, the front bracket (loading motor), the CD mechanism ass'y and the feed motor ass'y.

1. Turn up the CD mechanism ass'y and remove the two springs p on both sides of the clamber arms. Open the clamber arm upward.
2. Turn the turn table, and remove the two screws M and the spindle motor.

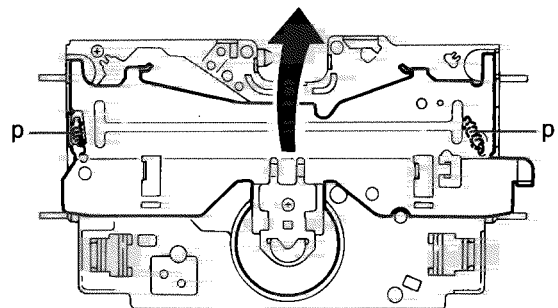


Fig.21

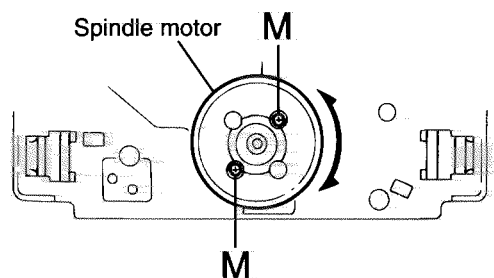


Fig.22

Adjustment method

■ Test instruments required for adjustment

1. Digital oscilloscope (100MHz)
2. AM Standard signal generator
3. FM Standard signal generator
4. Stereo modulator
5. Electric voltmeter
6. Digital tester
7. Tracking offset meter
8. Test Disc JVC :CTS-1000
9. Extension cable for check
EXTGS004-26P × 1

■ Standard volume position

Balance and Bass & Treble volume : Indication "0"
Loudness : OFF
BBE : OFF
Frequency Band

- FM 87.5MHz ~ 108.0MHz
- MW 522kHz ~ 1620 kHz
- LW 144kHz ~ 279kHz

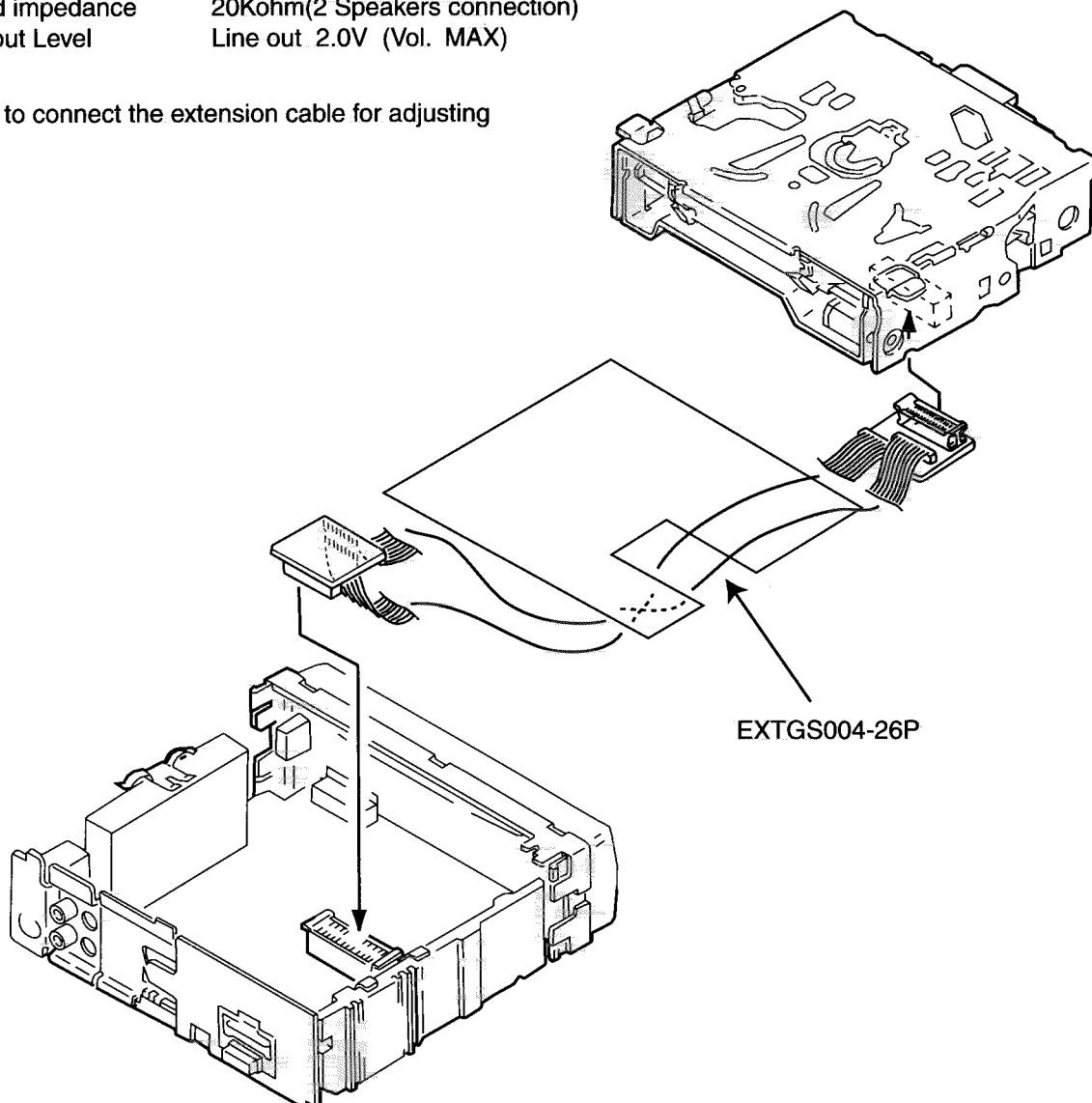
■ Dummy load

Exclusive dummy load should be used for AM, and FM. For FM dummy load, there is a loss of 6dB between SSG output and antenna input. The loss of 6dB need not be considered since direct reading of figures are applied in this working standard.

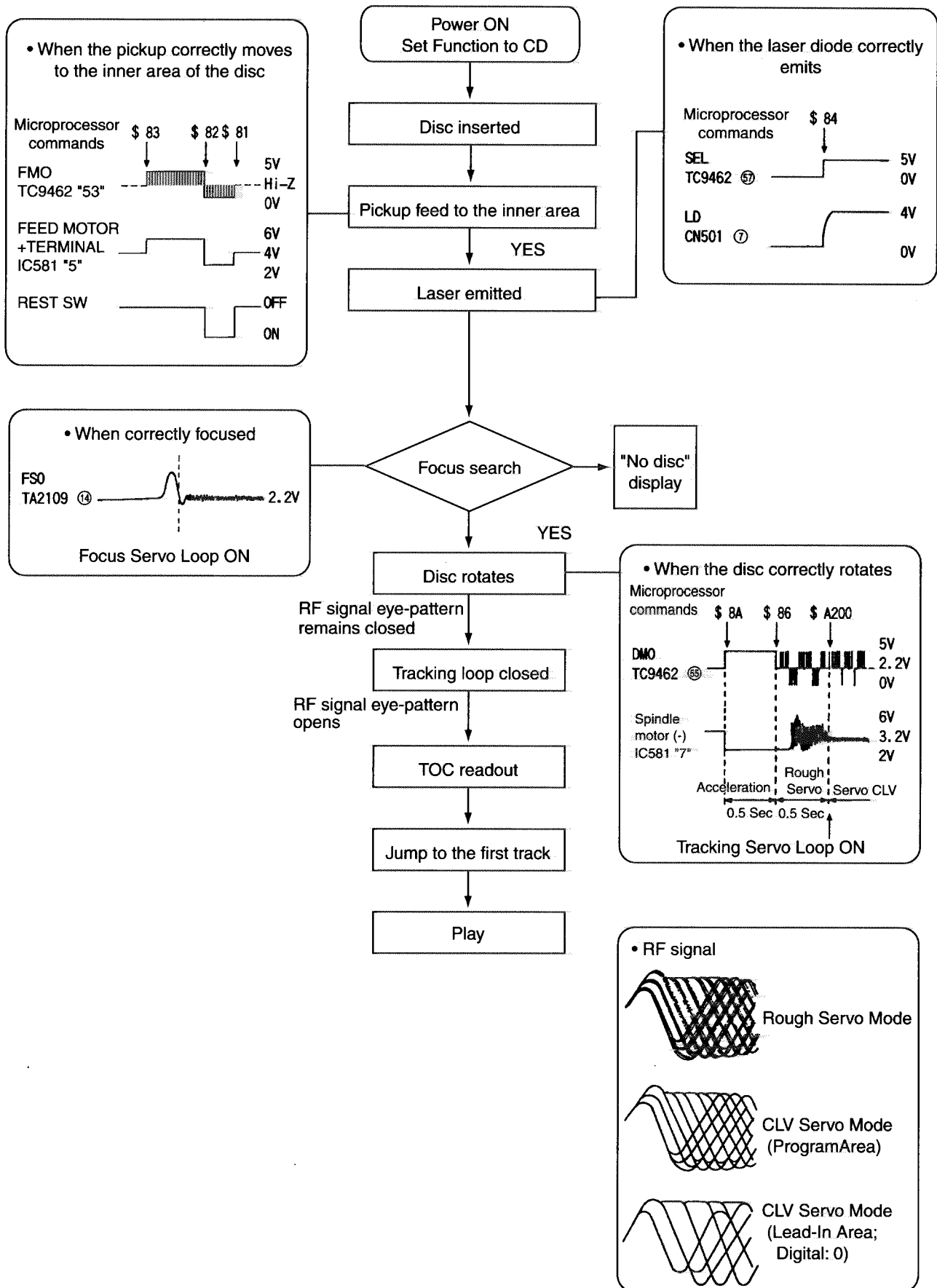
■ Standard measuring conditions

Power supply voltage DC14.4V(10.5~16V)
Load impedance 20Kohm(2 Speakers connection)
Output Level Line out 2.0V (Vol. MAX)

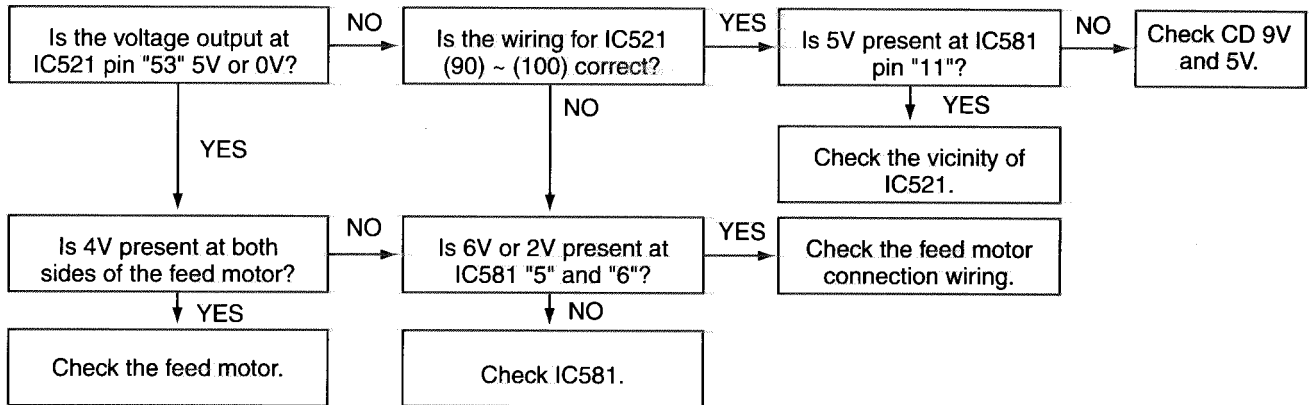
■ How to connect the extension cable for adjusting



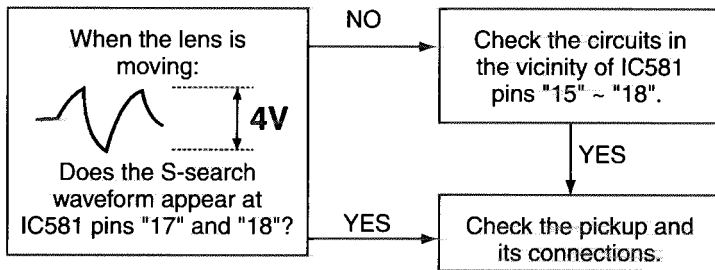
Flow of functional operation until TOC read



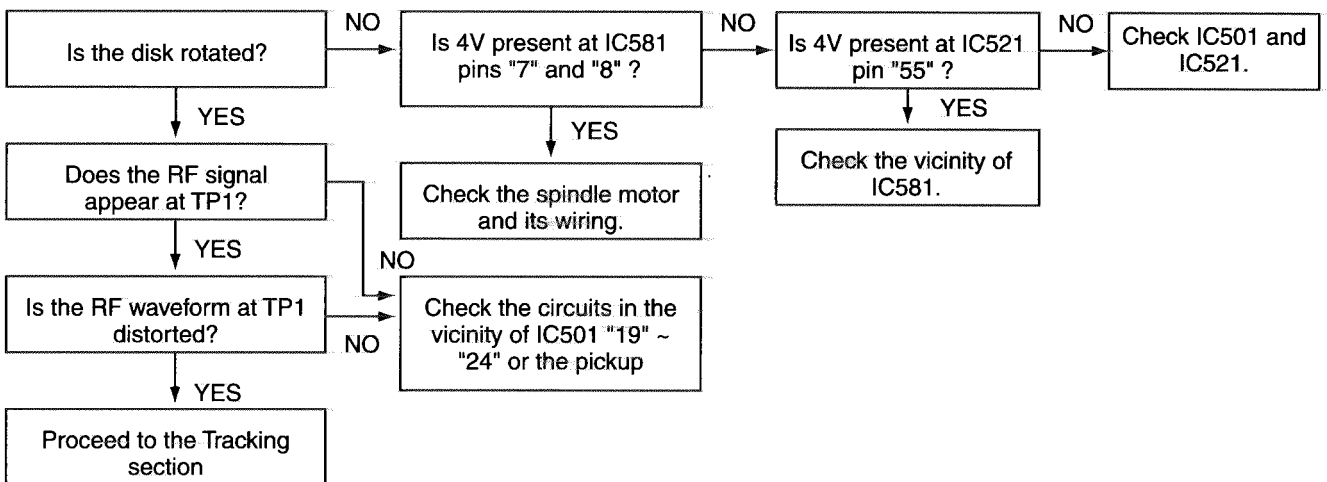
■ Feed Section



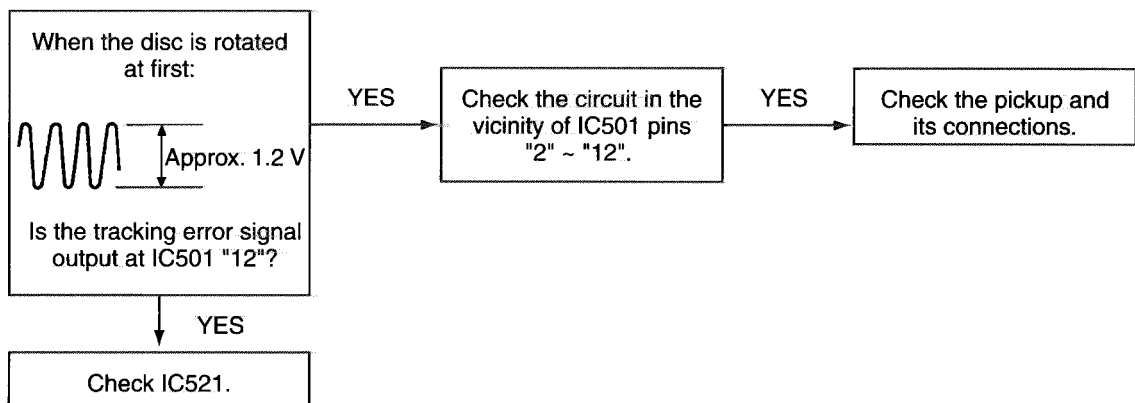
■ Focus Section



■ Spindle Section

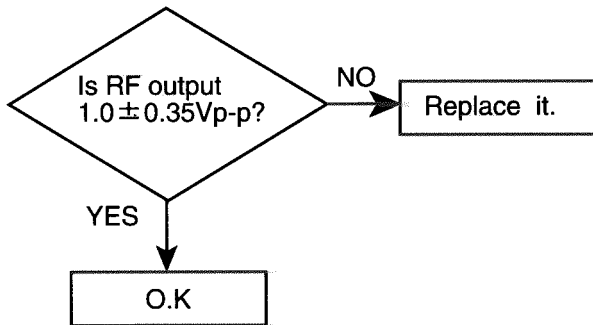


■ Tracking Section



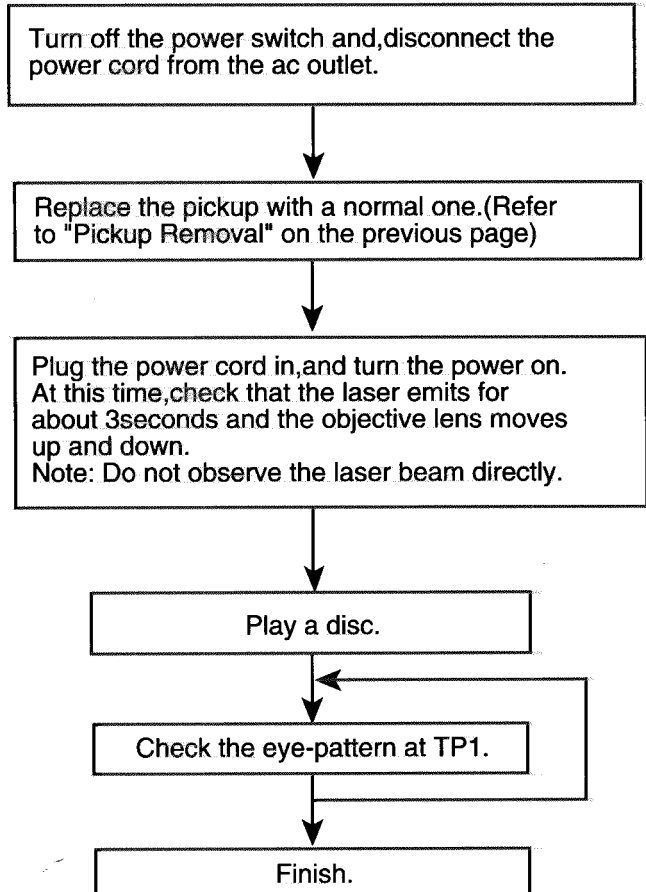
Maintenance of laser pickup

- (1) Cleaning the pick up lens
Before you replace the pick up, please try to clean the lens with a alcohol soaked cotton swab.
- (2) Life of the laser diode
When the life of the laser diode has expired, the following symptoms will appear.
 - (1) The level of RF output (EFM output:amplitude of eye pattern) will be low.



- (3) Semi-fixed resistor on the APC PC board
The semi-fixed resistor on the APC printed circuit board which is attached to the pickup is used to adjust the laser power. Since this adjustment should be performed to match the characteristics of the whole optical block, do not touch the semi-fixed resistor. If the laser power is lower than the specified value, the laser diode is almost worn out, and the laser pickup should be replaced. If the semi-fixed resistor is adjusted while the pickup is functioning normally, the laser pickup may be damaged due to excessive current.

Replacement of laser pickup

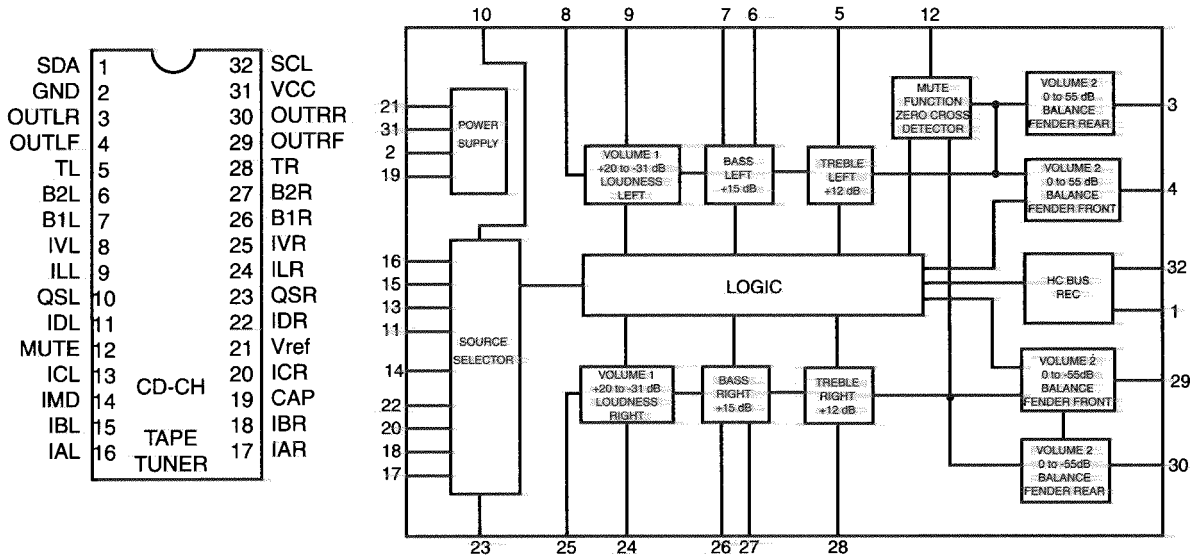


Description of major ICs

TEA6320T-X(IC301) : E.volume

1.Terminal Layout

2.Block Diagram



3.Pin Functions

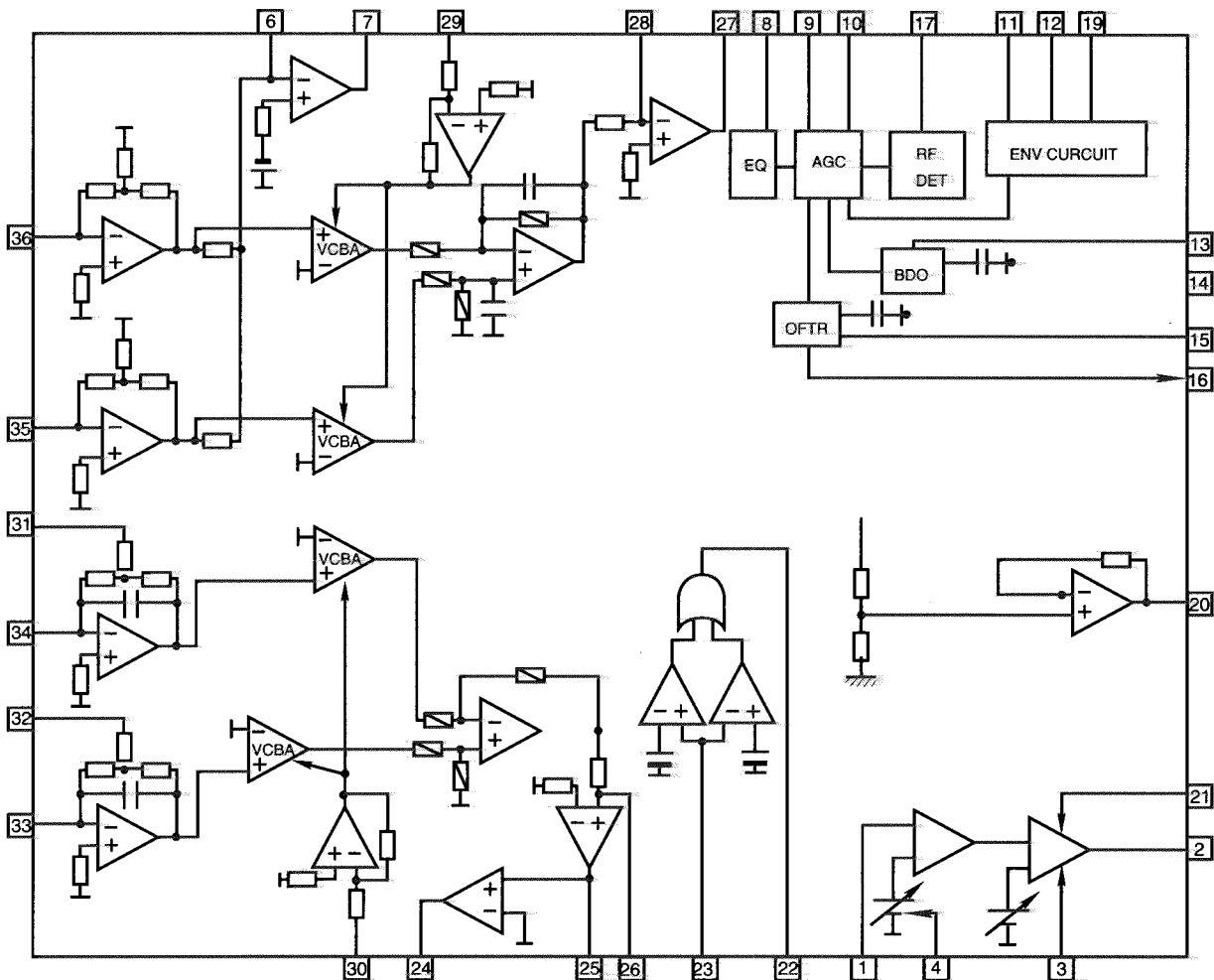
Pin No.	Symbol	I/O	Functions	Pin No.	Symbol	I/O	Functions
1	SDA	I/O	Serial data input/output.	17	IAR	I	Input A right source.
2	GND	-	Ground.	18	IBR	I	Input B right source.
3	OUTLR	O	output left rear.	19	CAP	-	Electronic filtering for supply.
4	OUTLF	O	output left front.	20	ICR	I	Input C right source.
5	TL	I	Treble control capacitor left channel or input from an external equalizer.	21	Vref	-	Reference voltage (0.5Vcc)
6	B2L	-	Bass control capacitor left channel or output to an external equalizer.	22	IDR	-	Not used
7	B1L	-	Bass control capacitor left channel.	23	QSR	O	Output source selector right channel.
8	IVL	I	Input volume 1. left control part.	24	ILR	I	Input loudness right channel.
9	ILL	I	Input loudness. left control part.	25	IVR	I	Input volume 1. right control part.
10	QSL	O	Output source selector. left channel.	26	B1R	-	Bass control capacitor right channel
11	IDL	-	Not used	27	B2R	O	Bass control capacitor right channel or output to an external equalizer.
12	MUTE	-	Not used	28	TR	I	Treble control capacitor right channel or input from an external equalizer.
13	ICL	I	Input C left source.	29	OUTRF	O	Output right front.
14	IMO	-	Not used	30	OUTRR	O	Output right rear.
15	IBL	I	Input B left source.	31	Vcc	-	Supply voltage.
16	IAL	I	Input A left source.	32	SCL	I	Serial clock input.

■ AN8806SB-W (IC501) : RF&Servo amp.

1.Pin layout

PD	1	36	PDAC
LD	2	35	PDBD
LDON	3	34	PDF
LDP	4	33	PDE
VCC	5	32	PDER
RF-	6	31	PDFR
RF OUT	7	30	TBAL
RF IN	8	29	FBAL
C.AGC	9	28	EF-
ARF	10	27	EF OUT
C.ENV	11	26	TE-
C.EA	12	25	TE OUT
CS BDO	13	24	CROSS
BDO	14	23	TE BPF
CS BRT	15	22	VDET
OFTR	16	21	LD OFF
/NRFDET	17	20	VREF
GND	18	19	ENV

2.Block diagram

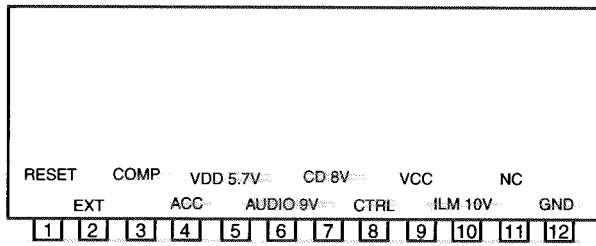


3. Pin function

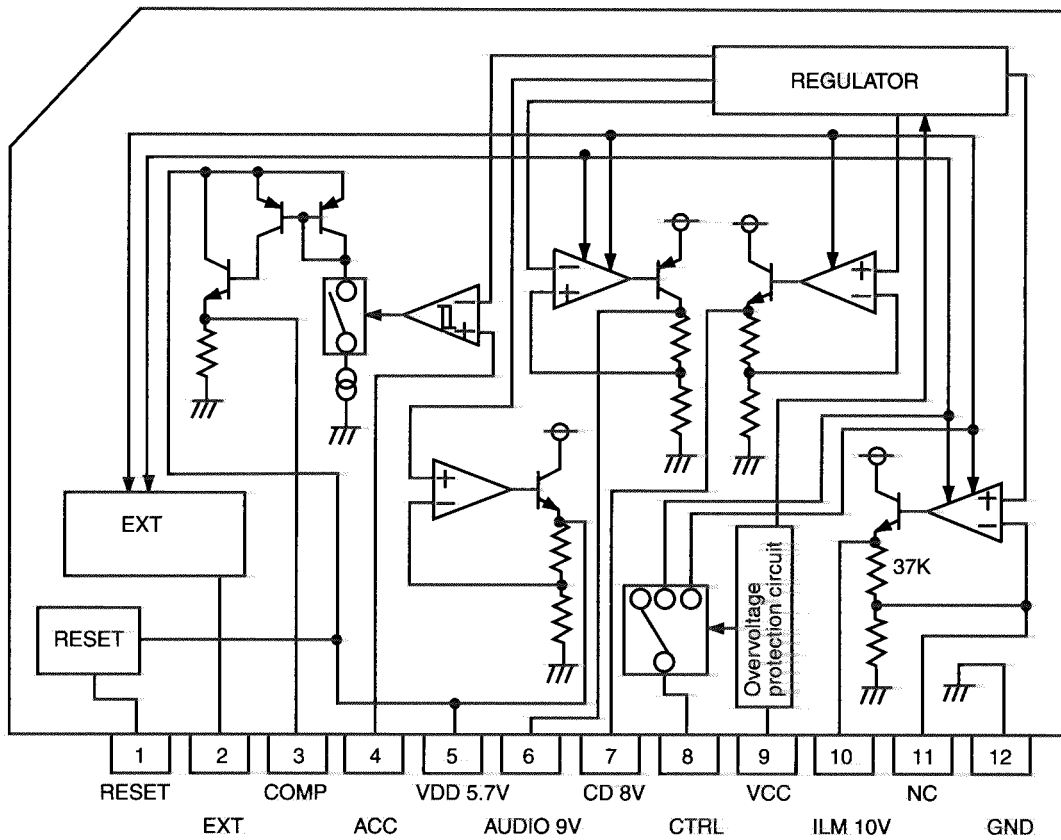
Pin No.	Symbol	I/O	Description
1	PD	I	APC amp input terminal
2	LD	O	APC amp output terminal
3	LD ON	I	APC ON/OFF control terminal
4	LDP	--	Connect to ground
5	VCC	--	Power supply
6	RF-	I	Inverse input pin for RF amp
7	RF OUT	O	RFamp output
8	RF IN	I	RF input
9	C.AGC	I/O	Connecting pin of AGC loop filter
10	ARF	O	RF output
11	C.ENV	I/O	A capacitor is connected to this terminal to detect the envelope of RF signal
12	C.EA	I/O	A capacitor is connected to this terminal to detect the envelope of RF signal
13	CS BDO	I/O	A capacitor is connected to detect the lower envelope of RF signal
14	BDO	O	BDO output pin
15	CS BRT	I/O	A capacitor is connected to detect the lower envelope of RF signal
16	OFTR	O	Of-track status signal output
17	/NRFDDET	O	RF detection signal output
18	GND	--	Ground
19	ENV	O	Envelope output
20	VREF	O	Reference voltage output
21	LD OFF	--	Connect to ground
22	VDET	O	Vibration detection signal output
23	TE BPF	I	Input pin of tracking error through BPF
24	CROSS	O	Tracking error cross output
25	TE OUT	O	Tracking error signal output
26	TE-	I	Inverse input pin for tracking error amp
27	FE OUT	O	Output pin of focus error
28	FE-	I	Inverse input pin for focus error amp
29	FBAL	I	Focus balance control
30	TBAL	I	Tracking balance control
31	PDFR	I/O	F I-V amp gain control
32	PDER	I/O	E I-V amp gain control
33	PDF	I	I-V amp input
34	PDE	I	I-V amp input
35	PD BD	I	I-V amp input
36	PD AC	I	I-V amp input

■BA4905-V3 (IC901) : Regulator

1. Terminal layout



2. Block diagram

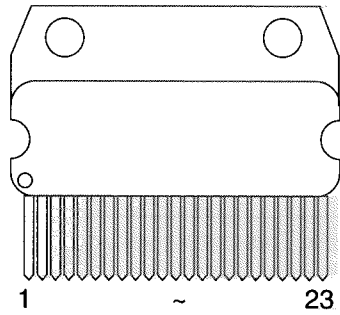


3.Pin function

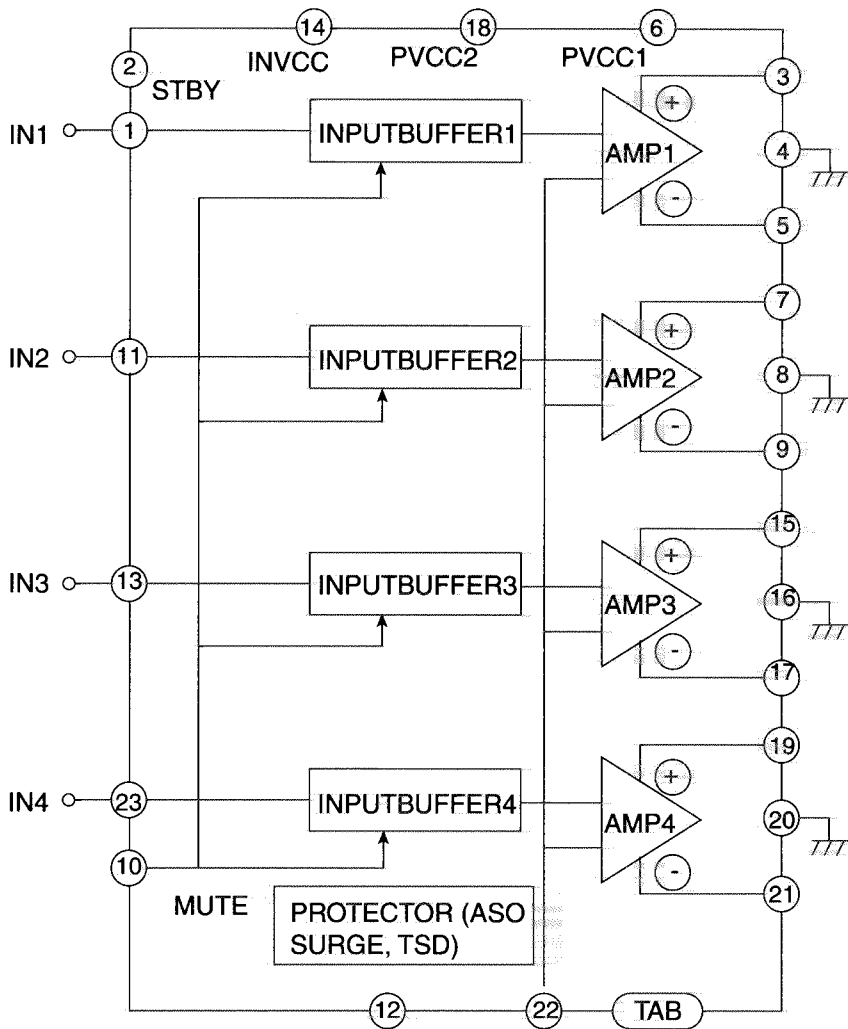
Pin no.	Symbol	Function
1	RESET	If VDD voltage becomes 4V or less.RESET output becomes low level.
2	EXT output	This output voltage is approximately 0.5V lower than VCC. and max output current is 300mA.
3	COMP output	A voltage supply for ACC block. This output voltage is approximately 0.7V lower than VDD'S. The max output current is 100mA.
4	ACC	Control of the COMP output by inputting voltage.
5	VDD output	This output voltage is 5.7V, and max output current is 100mA. This voltage supply is for microcomputer. Whenever back up voltage supply is connected, the output keeps on running.
6	AUDIO output	This output voltage is 9.0v, and max output current is 500mA. This voltage supply for AUDIO.
7	CD output	This output voltage is 8.0V, and max output current is 1A.. This voltage supply for CD.
8	CTRL	Output selector of CD. AUDIO, ILM and EXT.
9	VCC	To be connected with the BACK UP of car.
10	ILM output	This output voltage is 10V, and max output current is 500mA. Output voltage is adjustable.
11	NC	No use
12	GND	Ground

■ HA13158A (IC321) : Power amp

1. Pin layout

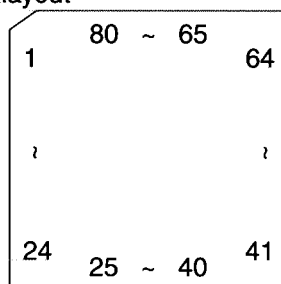


2. Block diagram



■ JES01-9597 (IC801) : Main micon

1. Pin layout

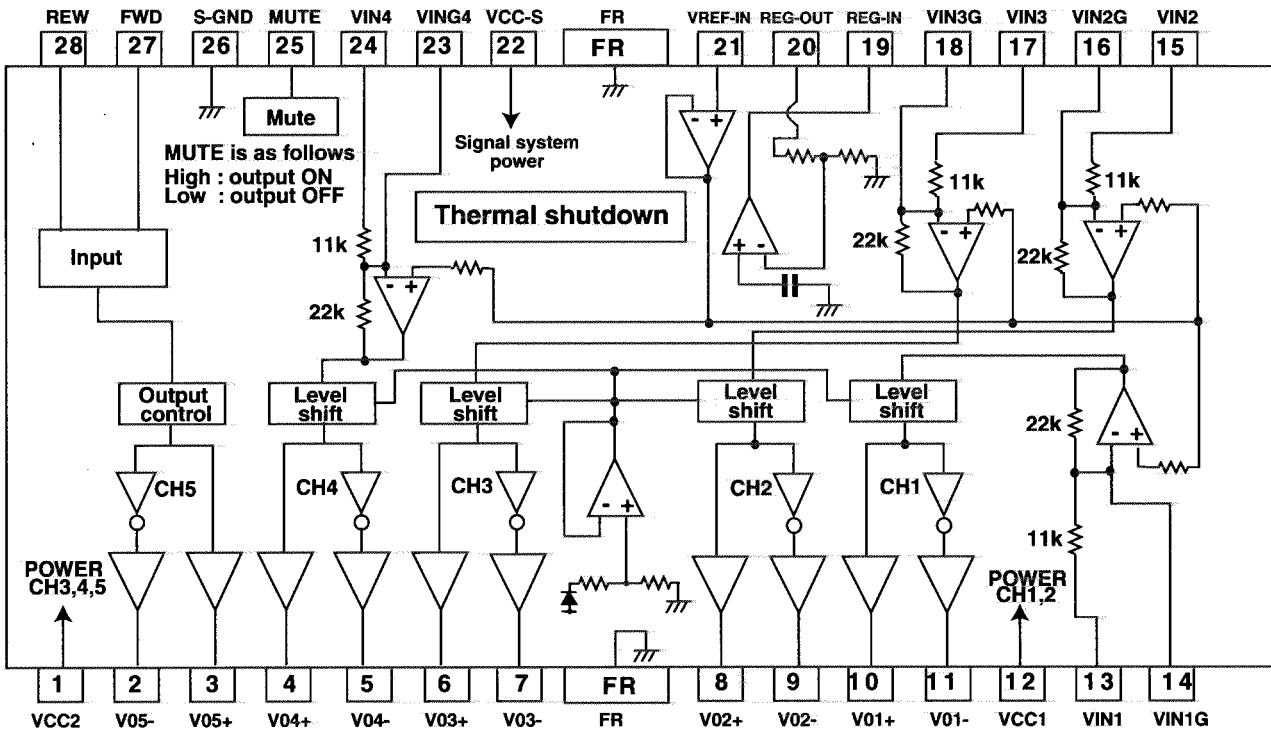


2. Pin function

Pin No.	Symbol	Function	Pin No.	Symbol	Function
1	XIN	4.5MHz crystal oscillation	41	CD ON	CD 8V supply on
2	TEST2	Connect to ground	42	RELAY	5V power control
3	J BUS SI	J-BUS signal data input (to 74HC126)	43	BBE CTL	No use
4	J BUS SO	J-BUS signal data output (to 74HC126)	44	BEEP	No use
5	J BUS SCK	J-BUS output clock signal (to 74HC126)	45	SW4	
6	J BUS I/O CONT	J-BUS I/O control	46	SW1	CD mechanism switch 1 for disc in, 8cm disc
7	SUBQ	CD LSI subcode data input	47	SW3	CD mecha. switch 3 for disc present, loading end
8		No use	48	REST	CD pickup rest position
9	SQCK	CD LSI subcode clock	49	JOG0	Rotary encoder input 0
10	RESET	Micon reset pin	50	JOG1	Rotary encoder input 1
11	LCD SI	No use	51	CD SENSE	CD LSI sense signal
12	LCD SO	LCD driver data output	52	STATUS	CD LSI status signal
13	LCD SCK	LCD driver clock signal	53	PSAVE2	Power save 2 : +B detect
14	LCD CE	LCD driver chip enable port	54	SD/ST	Station detection, Stereo indication
15	FM ILLUMI	No use	55	REMOCON	Remocon input
16	AM ILLUMI	No use	56	J BUS INT	J-BUS interrupt
17	CD ILLUMI	No use	57	BAND	FM/AM band selection
18	DIMMER OUT	No use	58	MONO	FM mono selection
19	LM0	CD loading motor output	59	IFRQ/AGC	During FM auto search, IF request output H after SD detected. During AM auto search, AGC output.
20	LM1	CD loading motor output			
21		No use	60	MUTE	Muting switch
22		No use	61	LEVEL	Level meter input
23		No use	62	S METER	S meter input
24	KS2	No use	63	KEY CHANGE	Connect to ground
25	KS1	No use	64	KEY2	Key 2 data input (AD)
26	KS0	Output for initial setting diode matrix	65	KEY1	Key 1 data input (AD)
27	DETACH	Front panel detect	66	KEY0	Key 0 data input (AD)
28	K2	No use	67	PSAVE1	Power save 1, ACC power detect
29	K1	Input for initial setting diode matrix	68	SENSE	Voltage sense
30	K0	Input for initial setting diode matrix	69		No use
31	Vdd	5V power supply	70	FM IF COUNT	FM IF counter data input
32	SW2	CD mechanism switch 2 for 12cm disc	71		No use
33	CD LSI RESET	CD LSI reset	72		No use
34	MCLK	CD LSI command clock signal	73	Vdd	5V power supply
35	MDATA	CD LSI command data output	76	AM OSC	No use
36	MLD	CD LSI command load signal	75	FM OSC	FM input frequency
37		No use	76	Vss	Ground
38		No use	77		No use
39	SCL	E.volume clock output	78	EO	PLL error output signal
40	SDA	E.volume data output	79	TEST1	Connect to ground
			80	XOUT	4.5MHz crystal oscillation

■ LA6557-X(IC541) : Servo BTL driver

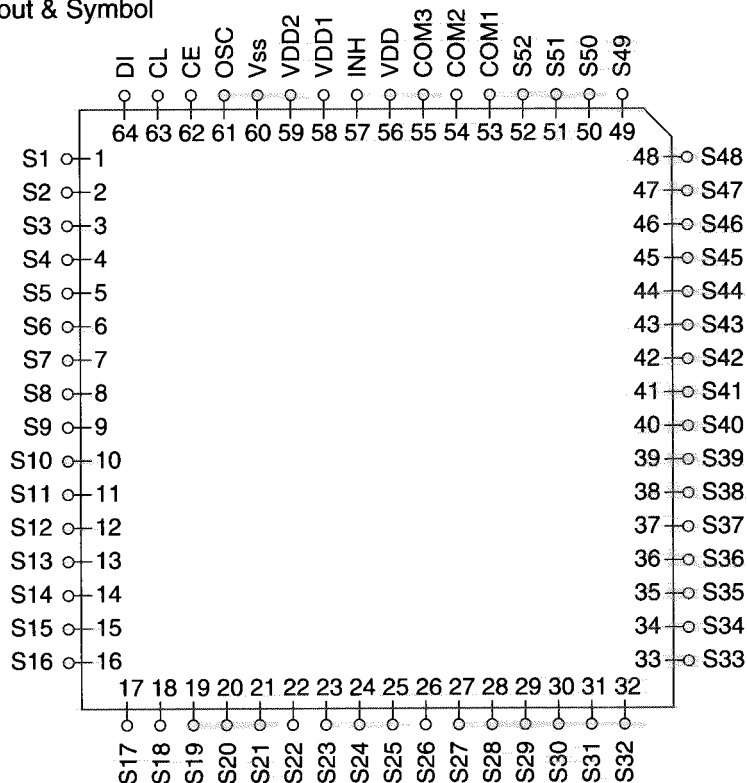
1. Block diagram



Pin No.	Pin Name	Description
1	VCC2	Power for channels 3,4, and 5 (VCC1 and VCC-S short-circuited)
2	V05-	Loading output (-)
3	V05+	Loading output (+)
4	V04+	Output pin (+) for channel 4
5	V04-	Output pin (-) for channel 4
6	V03+	Output pin (+) for channel 3
7	V03-	Output pin (-) for channel 3
8	V02+	Output pin (+) for channel 2
9	V02-	Output pin (-) for channel 2
10	V01+	Output pin (+) for channel 1
11	V01-	Output pin (-) for channel 1
12	VCC1	Power for channels 1 and 2 (BTL), (VCC-S and VCC2 short-circuited)
13	VIN1	Input pin for channel 1
14	VIN1G	Input pin for channel 1 (for gain control)
15	VIN2	Input pin for channel 2
16	VIN2G	Input pin for channel 2 (for gain control)
17	VIN3	Input pin for channel 3
18	VIN3G	Input pin for channel 3 (for gain control)
19	REG-IN	Regulator pin (External PNP base)
20	REG-OUT	Regulator pin (External PNP collector)
21	VRFE-IN	Reference voltage input pin
22	VCC-S	Signal system power (VCC1 and VCC2 short-circuited)
23	VIN4G	Input pin for channel 4 (for gain control)
24	VIN4	Input pin for channel 4
25	MUTE	Output ON/OFF, channels 1 to 4 (BTL AMP)
26	S-GND	Signal system GND
27	FWD	5CH(VL0) Output change pin (FWD), Logic input for loading block
28	REV	5CH(VL0) Output change pin (REW), Logic input for loading block

■ LC75823W (IC601) : LCD Driver

1. Pin Layout & Symbol

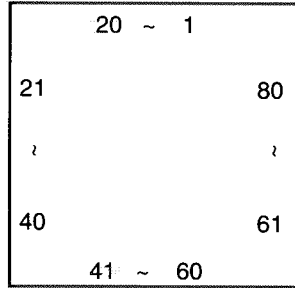


2. Pin Function

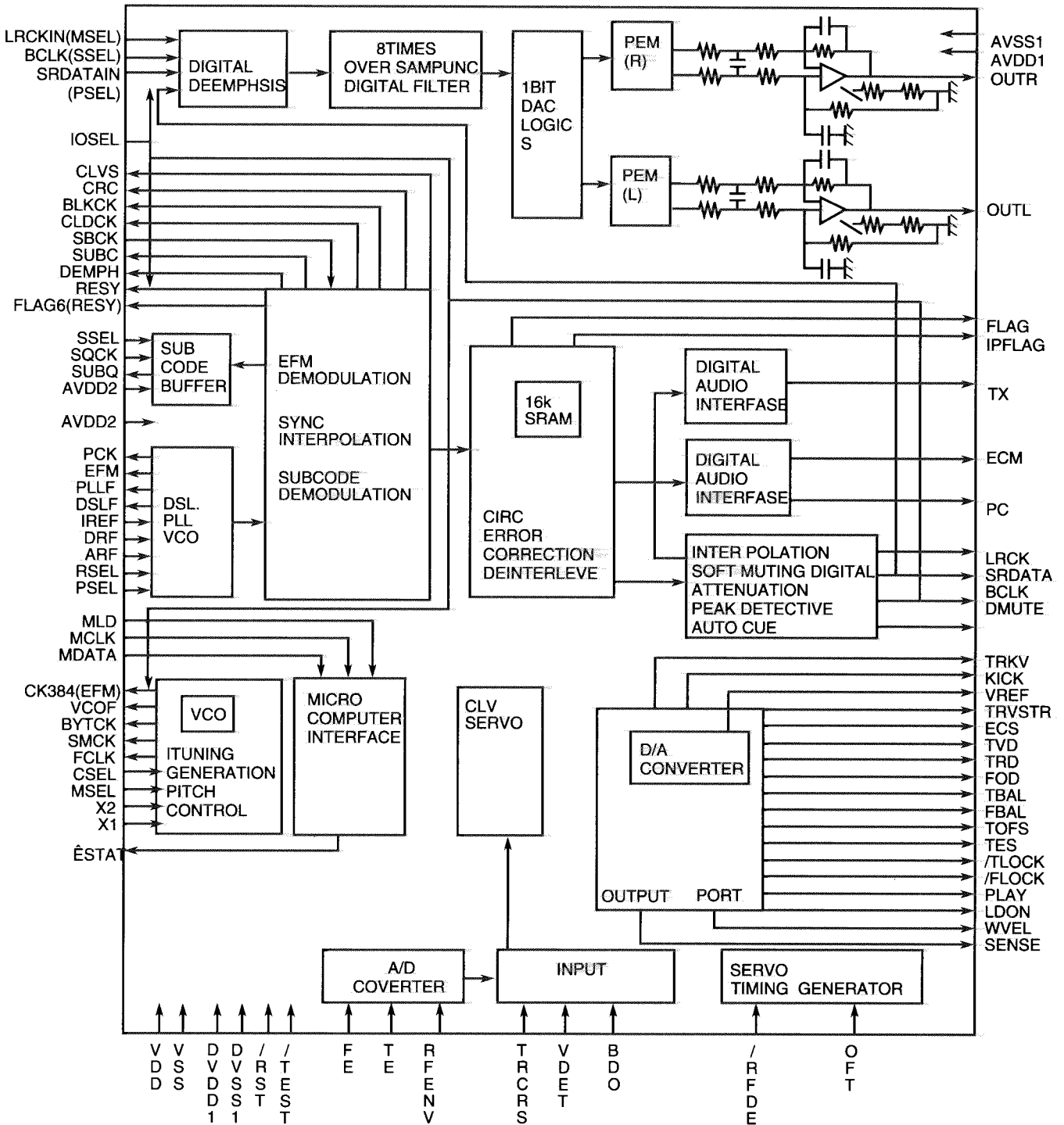
Pin No.	Symbol	I/O	Function
1 to 52	S1 to S52	O	Segment output pins used to display data transferred by serial data input.
53 to 55	COM1 to COM3	O	Common driver output pins. The frame frequency is given by : $t_0 = (f_{osc}/384)Hz$.
56	VDD	--	Power supply connection. Provide a voltage of between 4.5 and 6.0V.
57	INH	I	Display turning off input pin. $\overline{INT} = "L"$ (Vss) ----- off (S1 to S52, COM1 to COM3 = "L" $\overline{INT} = "H"$ (VDD) ----- on Serial data can be transferred in display off mode.
58	VDD1	I	Used for applying the LCD drive 2/3 bias voltage externally. Must be connected to VDD2 when a 1/2 bias drive scheme is used.
59	VDD2	I	Used for applying the LCD drive 1/3 bias voltage externally. Must be connected to VDD1 when a 1/2 bias drive scheme is used.
60	Vss	--	Power supply connection. Connect to GND.
61	OSC	I/O	Oscillator connection. An oscillator circuit is formed by connecting an external resistor and capacitor at this pin.
62	CE		Serial data interface connection CE : Chip enable
63	CL	I	to the controller. CL : Sync clock
64	DI		DI : Transfer data

■ MN35510(IC561):Digital servo & digital signal processor

1. Terminal Layout



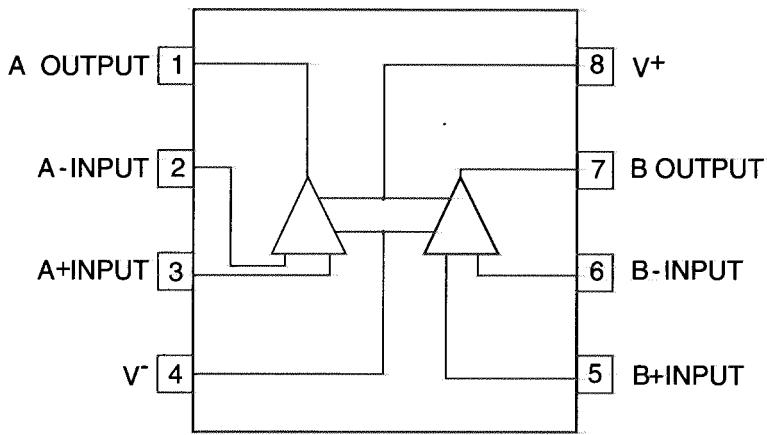
2. Block Diagram



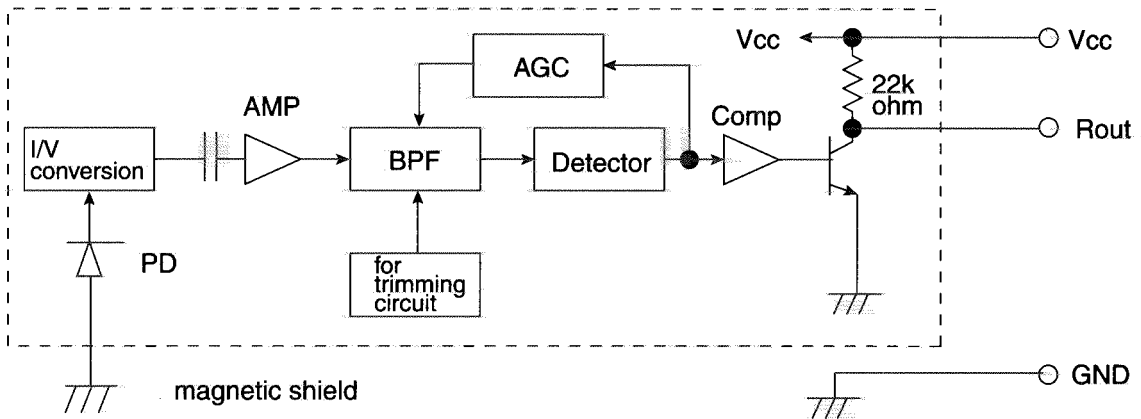
3. Description

Pin No.	symbol	I/O	Description	Pin No.	symbol	I/O	Description
1	BCLK	O	Not used	41	TES	O	Tracking error shunt signal output(H:shunt)
2	LRCK	O	Not used	42	PLAY	-	Not used
3	SRDATA	O	Not used	43	WVEL	-	Not used
4	DVDD1	-	Power supply (Digital)	44	ARF	I	RF signal input
5	DVSS1	-	Connected to GND	45	IREF	I	Reference current input pin
6	TX	O	Digital audio interface output	46	DRF	I	Bias pin for DSL
7	MCLK	I	Micom command clock signal input (Data is latched at signal's rising point)	47	DSLFL	I/O	Loop filter pin for DSL
8	MDATA	I	Micom command data input	48	PLLFL	I/O	Loop filter pin for PLL
9	MLD	I	Micom command load signal input	49	VCOF	-	Not used
10	SENSE	O	Sence signal output	50	AVDD2	-	Power supply(Analog)
11	FLOCK	O	Focus lock signal output Active :Low	51	AVSS2	-	Connected to GND(Analog)
12	TLOCK	O	Tracking lock signal output Active :Low	52	EFM	-	Not used
13	BLKCK	O	sub-code - block - clock signal output	53	PCK	-	Not used
14	SQCK	I	Outside clock for sub-code Q resister input	54	PDO	-	Not used
15	SUBQ	O	Sub-code Q -code output	55	SUBC	-	Not used
16	DMUTE	-	Connected to GND	56	SBCK	-	Not used
17	STATUS	O	Status signal (CRC,CUE,CLVS,TTSTOP,ECLV,SQOK)	57	VSS	-	Connected to GND(for X'tal oscillation circuit)
18	RST	I	Reset signal input (L:Reset)	58	X1	I	Input of 16.9344MHz X'tal oscillation circuit
19	SMCK	-	Not used	59	X2	O	Output of X'tal oscillation circuit
20	PMCK	-	Not used	60	VDD	-	Power supply(for X'tal cscillation circuit)
21	TRV	O	Traverse enforced output	61	BYTCK	-	Not used
22	TVD	O	Traverse drive output	62	CLDCK	-	Not used
23	PC	-	Not used	63	FLAG	-	Not used
24	ECM	O	Spindle motor drive signal (Enforced mode output) 3-State	64	IPPLAG	-	Not used
25	ECS	O	Spindle motor drive signal (Servo error signal output)	65	FLAG	-	Not used
26	KICK	O	Kick pulse output	66	CLVS	-	Not used
27	TRD	O	Tracking drive output	67	CRC	-	Not used
28	FOD	O	Focus drive output	68	DEMPH	-	Not used
29	VREF	I	Reference voltage input pin for D/A output block (TVD,FOD,FBA,TBAL)	69	RESY	-	Not used
30	FBAL	O	Focus Balance adjust signal output	70	IOSEL	-	pull up
31	TBAL	O	Tracking Balance adjust signal output	71	TEST	-	pull up
32	FE	I	Focus error signal input(Analog input)	72	AVDD1	-	Power supply(Digital)
33	TE	I	Tracking error signal input(Analog input)	73	OUT L	O	Lch audio output
34	RF ENV	I	RF envelope signal input(Analog input)	74	AVSS1	-	Connected to GND
35	VDET	I	Vibration detect signal input(H:detect)	75	OUT R	O	Rch audio output
36	OFT	I	Off track signal input(H:off track)	76	RSEL	-	pull up
37	TRCRS	I	Track cross signal input	77	CSEL	-	Connected to GND
38	RFDET	I	RF detect signal input(L:detect)	78	PSEL	-	Connected to GND
39	BDO	I	BDO input pin(L:detect)	79	MSEL	-	Connected to GND
40	LDON	O	Laser ON signal output(H:on)	80	SSEL	-	Pull up

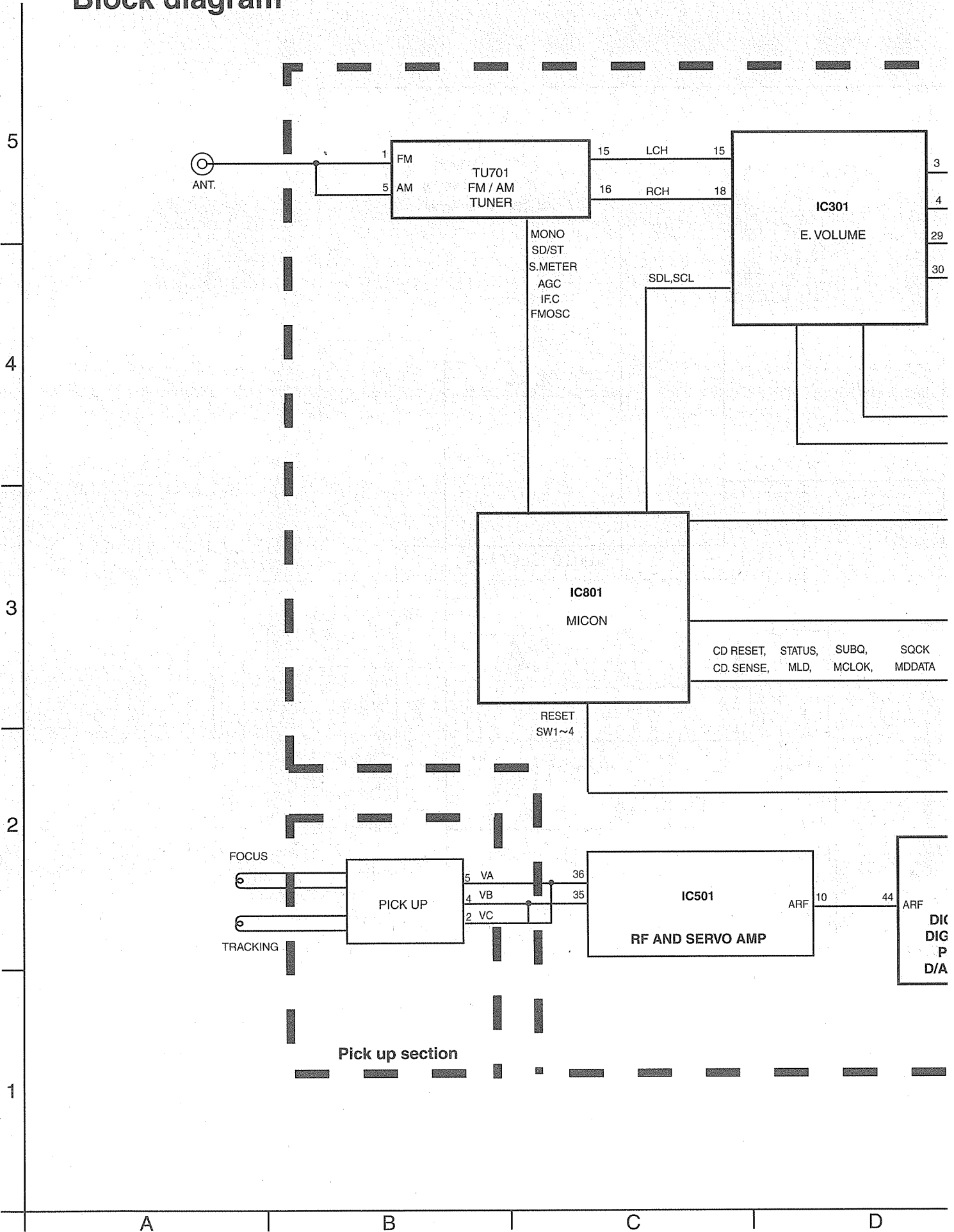
■ NJM4565M-WE (IC151) : Ope. amp

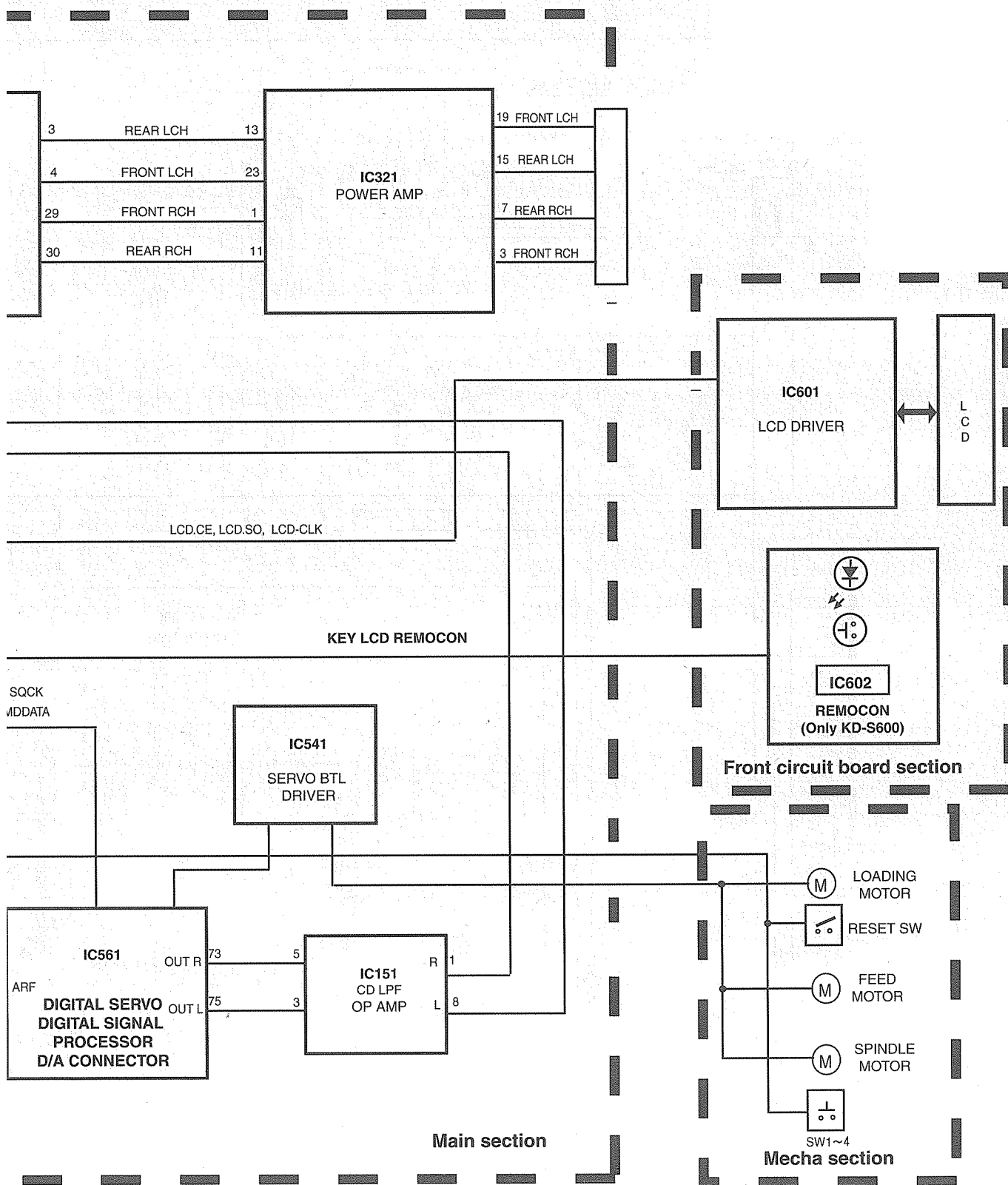


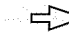



■ RPM6938-SV4 (IC602) : Remote control receiver



Block diagram





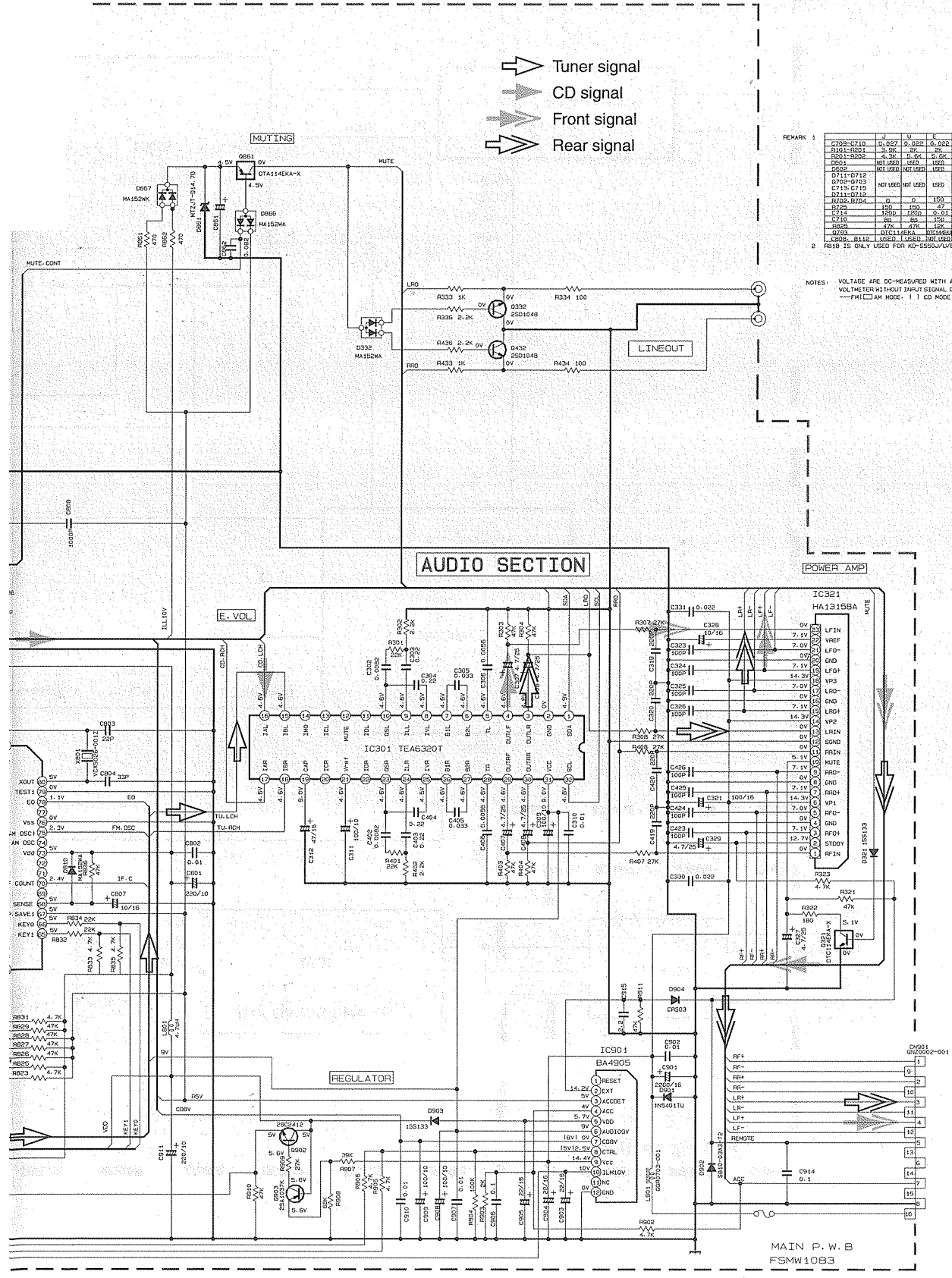
 Tuner signal
 CD signal
 Front signal
 Rear signal

REMARK 1

U	V	W	X
C709-C710	0.022	0.022	0.022
B101-B104	3.3K	3K	3K
C501-C502	4.7K	4.7K	4.7K
D001	1N4148	1N4148	1N4148
D002	1N4148	1N4148	1N4148
D711-D712	0.001	0.001	0.001
C710-C713	100K	100K	100K
C714	100K	100K	100K
C715	50	50	100
R005	47K	47K	47K
R007	10K	10K	10K
C008, B112	100K	100K	100K
R010	10	10	10

REMARK 2
R010 IS ONLY USED FOR KD-85500/VVE

NOTES: VOLTAGE ARE DC-MEASURED WITH A DIGITAL VOLTMETER WITHOUT INPUT SIGNAL (CD/STATION) — FM □ AM MODE, I I CD MODE



CD servo & control section

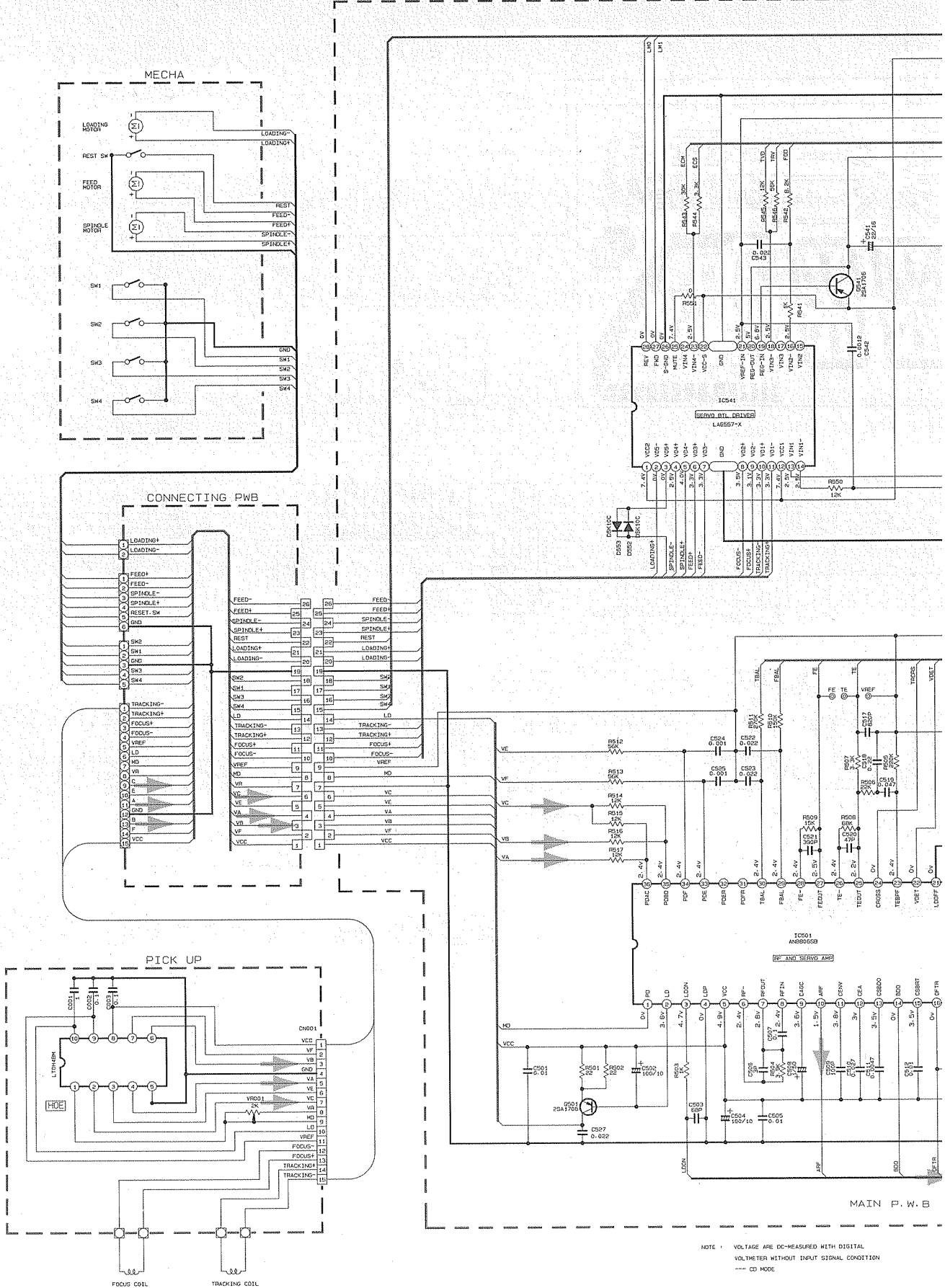
5

4

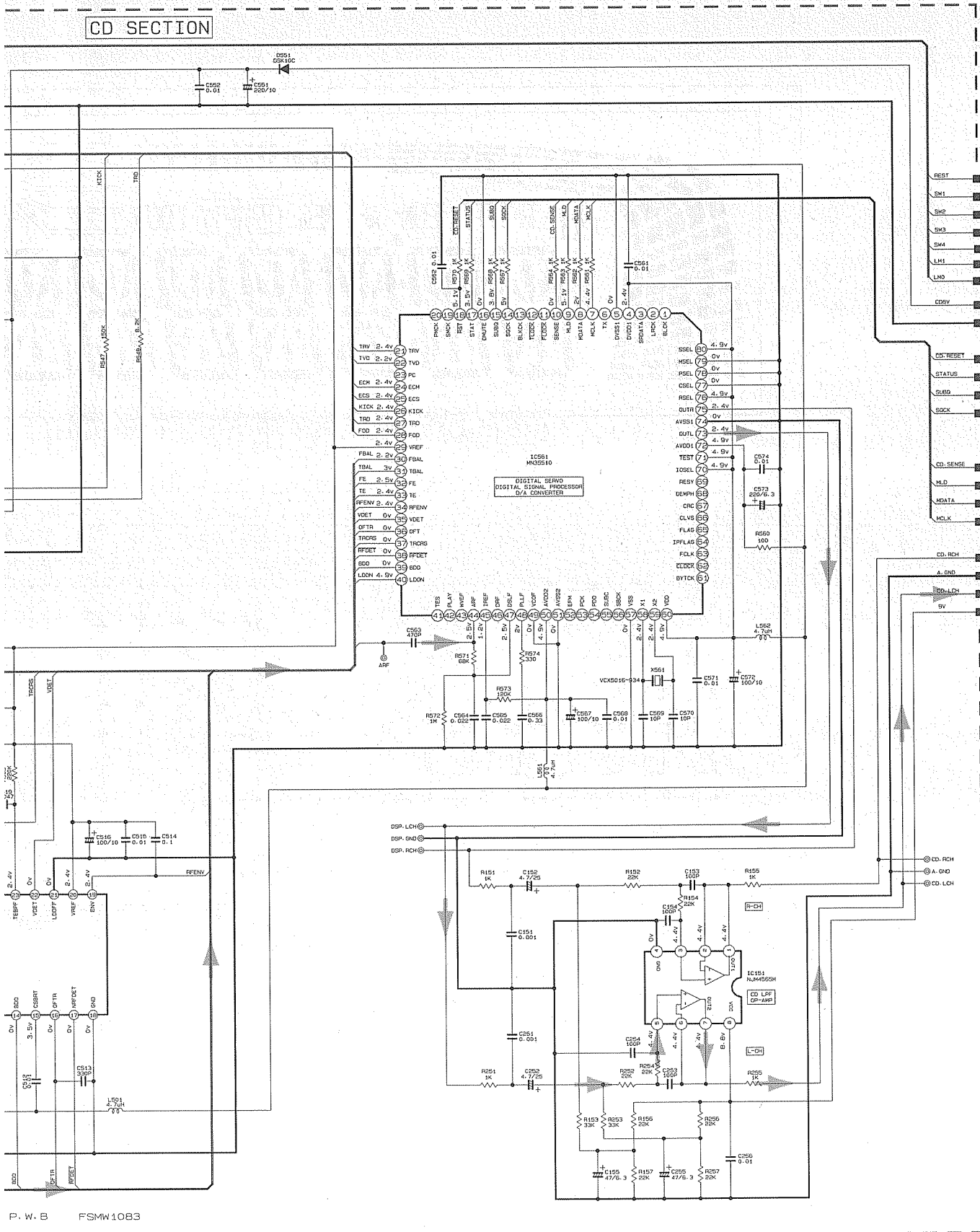
3

2

1



NOTE: VOLTAGE ARE DC-MEASURED WITH DIGITAL VOLTMETER WITHOUT INPUT SIGNAL CONDITION
--- CD MODE



P. W. B FSMW10B3

■ LCD & key control section

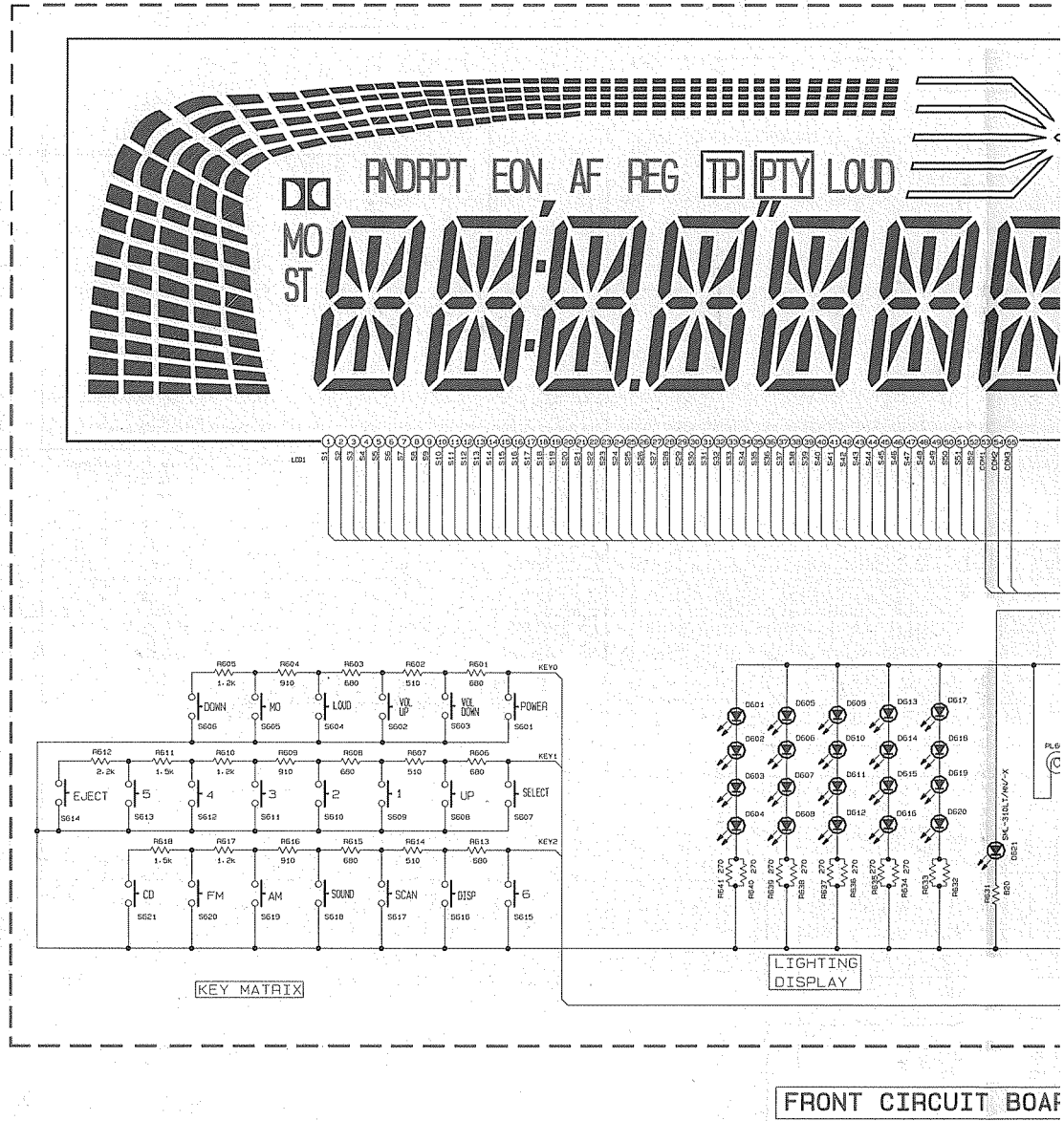
5

4

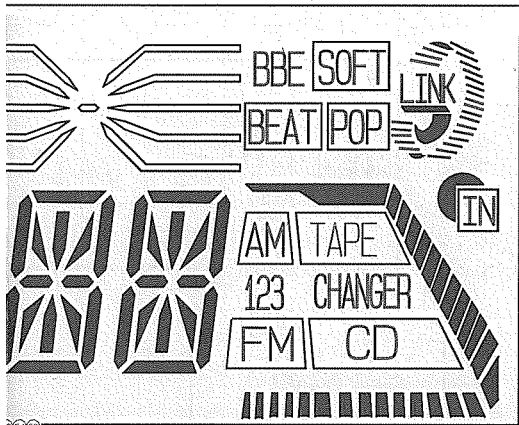
3

2

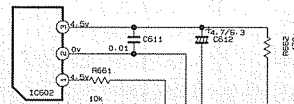
1



FRONT CIRCUIT BOARD



FOR KD-S600 ONLY

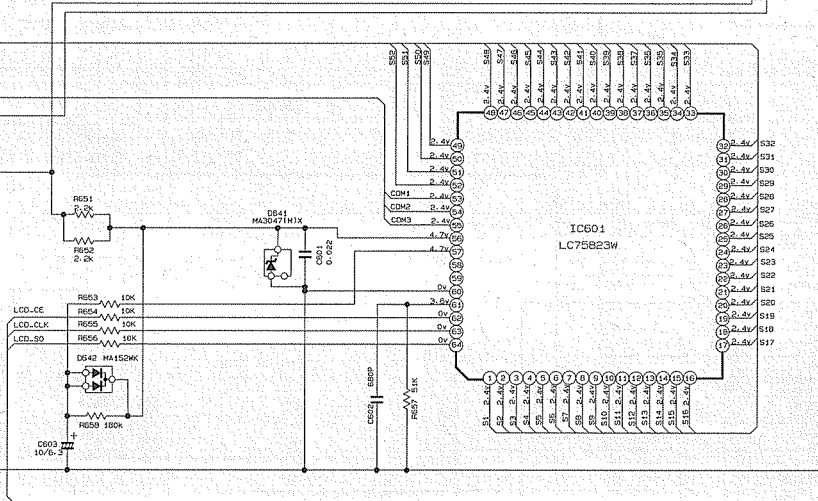


D601
VHC0330-001

TLL-10V
REV
FENGDON

LCD_CLK
LCD_SD
LCD_CE
KEY0
KEY1
KEY2
SND

1
2
3
4
5
6
7
8
9
10
11
12
13
14
15



LCD DRIVER

BOARD SECTION

	KD-S600	KD-S550
PL601	QLL0033-003	QLL0033-003 FOR J/V
PL602	QLL0033-003	QLL0033-001 FOR E
D617		
D618	SML-310V17/3K/-X	LNJ308018/1-3/X
D619		
R632	HFSAG2-J-391X	NR8A02-J-271X
R633		
LCD	GLD0103-001	GLD0126-001
D601*		LNJ308018/1-3/X
D616		
S601*		NSW0124-001X
S621		

NOTE: VOLTAGE ARE DC-MEASURED WITH DIGITAL VOLTMETER WITHOUT INPUT SIGNAL CONDITION

Printed circuit boards

■ Main board

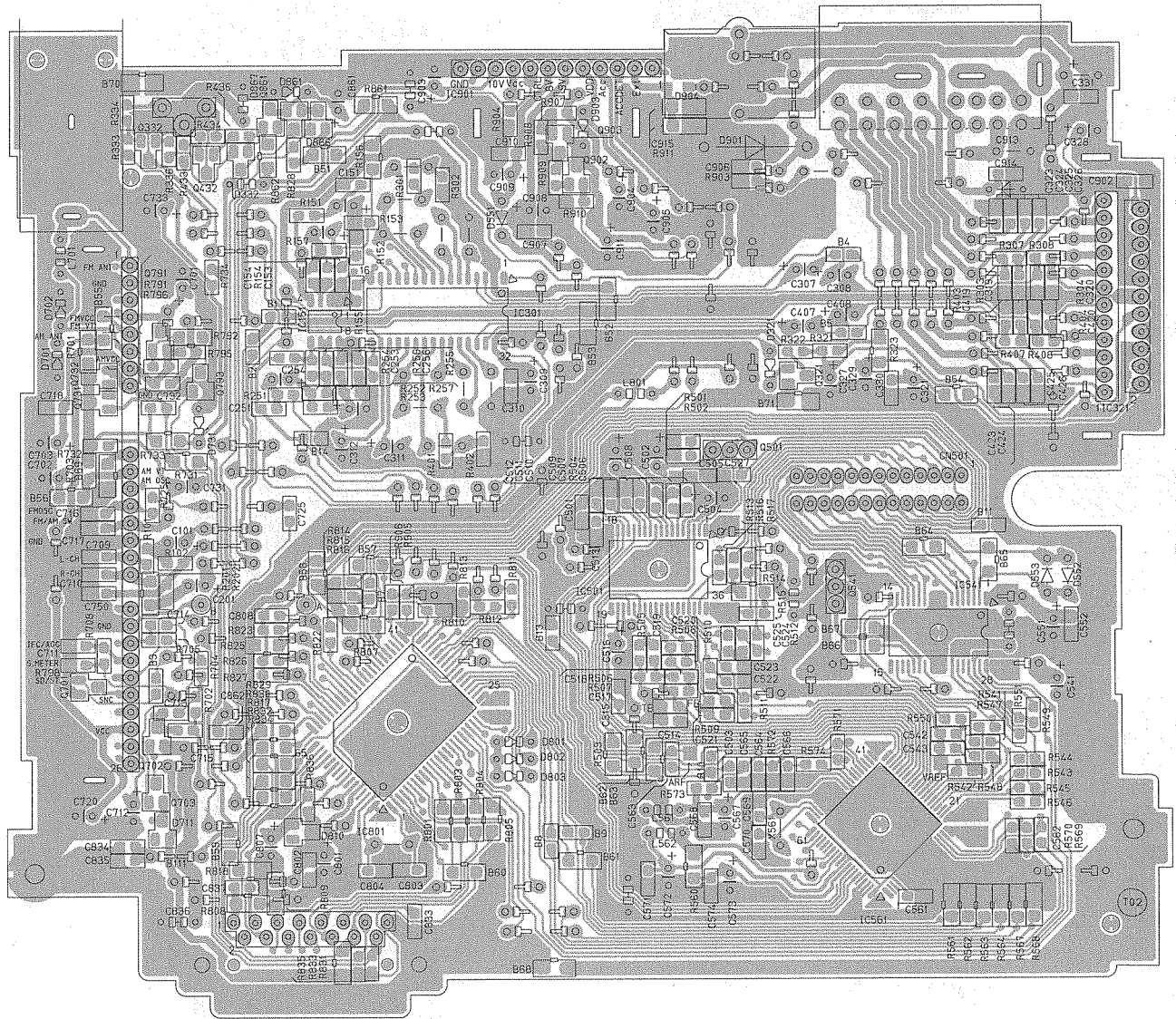
5

4

3

2

1



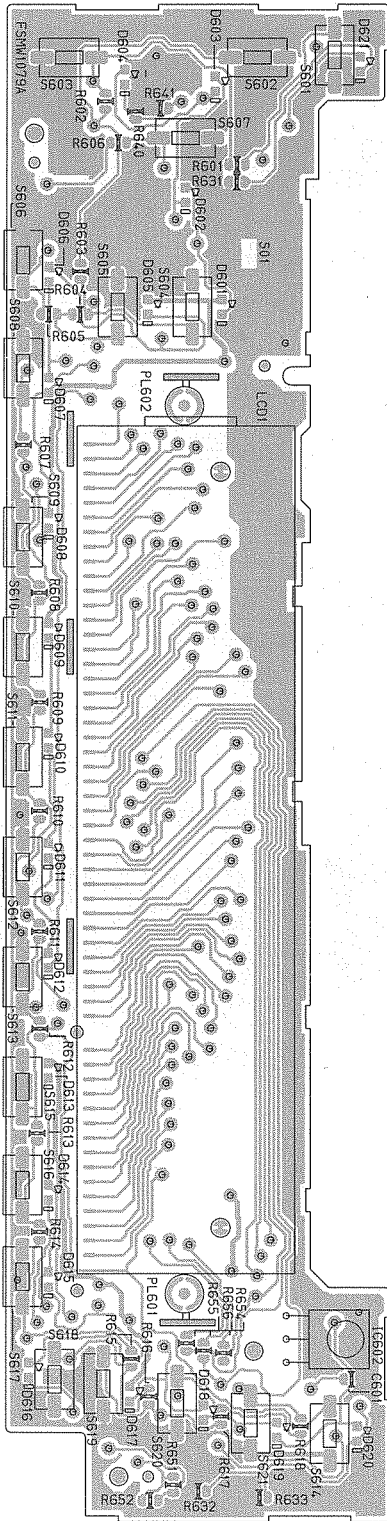
A

B

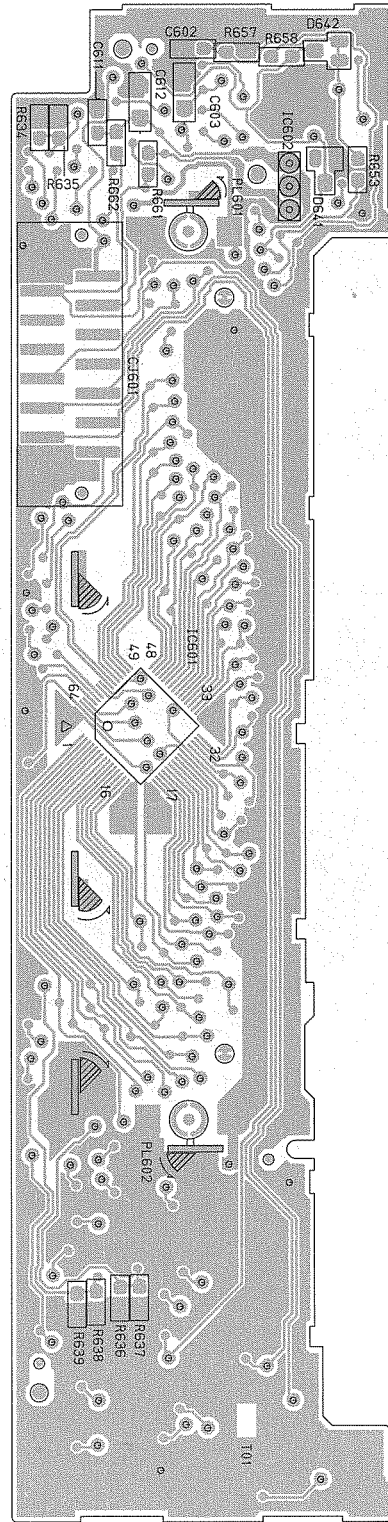
C

■ LCD & key control board

(Forward side)



(Reverse side)



PARTS LIST

[KD-S550]

[KD-S600]

* All printed circuit boards and its assemblies are not available as service parts.

Areas suffix

E ----- Continental Europe

J ----- Northern America

- Contents -

Exploded view of general assembly and parts list	3-2
CD mechanism assembly and parts list	3-4
Electrical parts list	3-6
Packing materials and accessories parts list	3-10

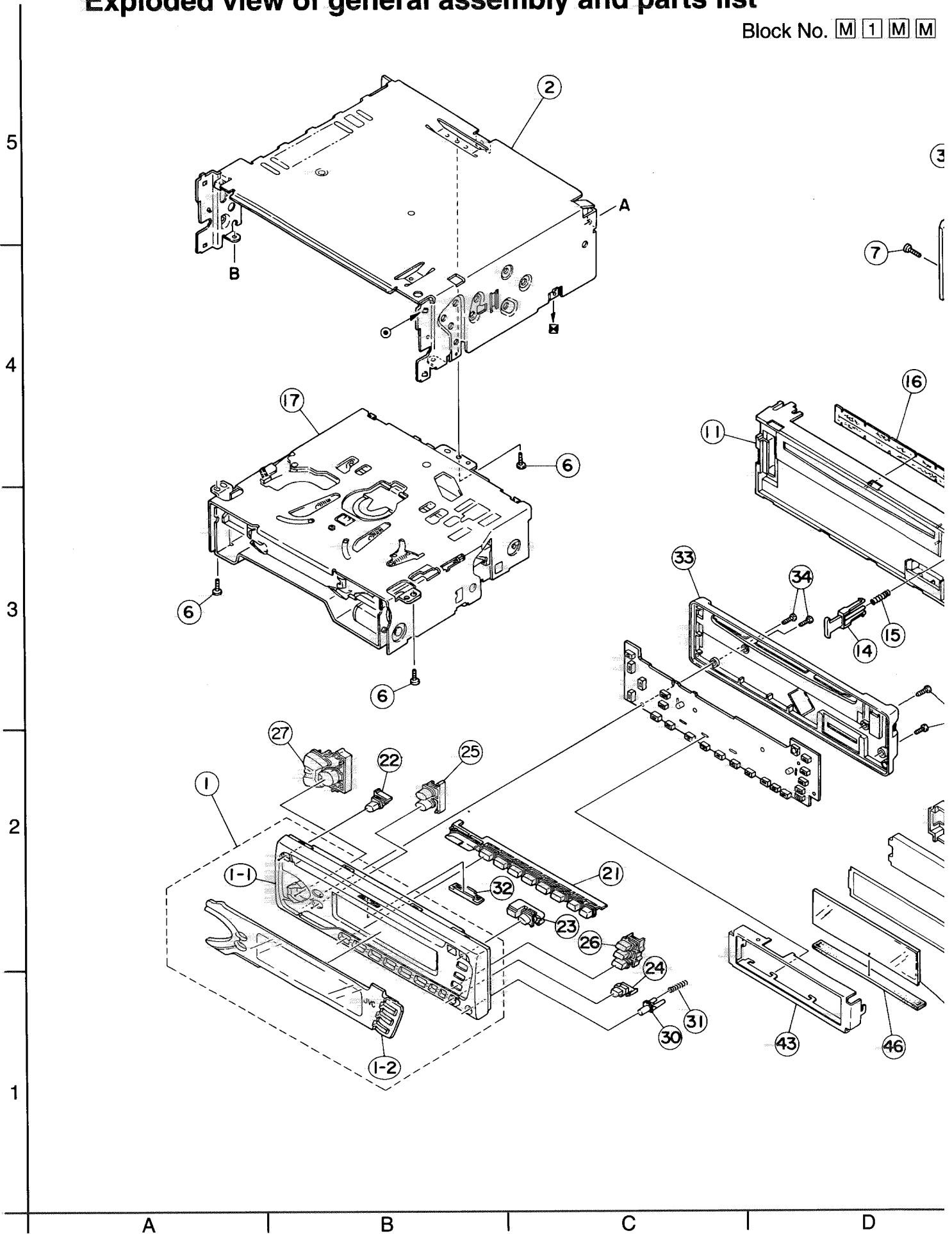
■ Parts list (General assembly)

Block No. M1MM

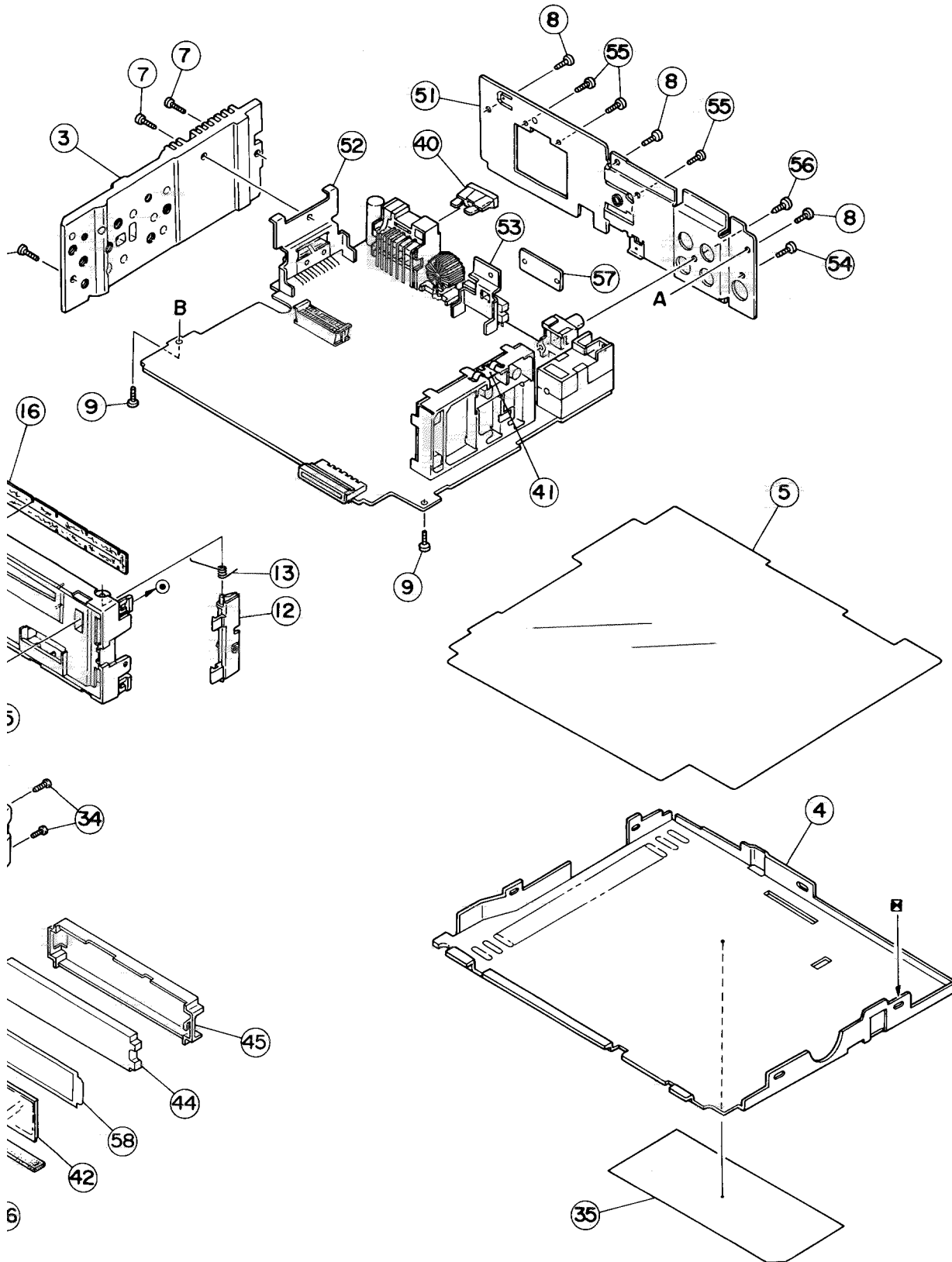
△	Item	Parts number	Parts name	Q'ty	Description	Area
	1	ZCKDS600J-NPA	NOSE PIECE	1	1-1 1-2 S600J	
		ZCKDS550J-NPA	NOSE PIECE	1	1-1 1-2 S550E/J	
	1-1	FSJC1057-001	FRONT PANEL	1		
	1-2	FSJD3023-00A	FINDER ASSY	1	KD-S600 J	
		FSJD3023-00B	FINDER LENS	1	KD-S550 E/J	
	2	FSJC1029-021	TOP CHASSIS	1		
	3	FSMH3001-002	HEAT SINK	1	KD-S550 J	
		FSMH3001-202	HEAT SINK	1	KD-S600J/S550E	
	4	FSKM3011-002	BOTTOM COVER	1		
	5	FSMA3004-003	INSULATOR	1		
	6	QYSDST2604Z	SCREW	3	CHASSIS+MECHA B	
	7	FSKZ4005-001	SCREW	3		
	8	QYSDST2606Z	SCREW	3	CHASSIS+REAR BK	
	9	QYSDST2606Z	SCREW	2	CHASSIS+MAIN PW	
	11	FSJC2013-002	FRONT CHASSIS	1		
	12	FSKS3010-001	LOCK LEVER	1		
	13	FSKW4005-003	TORSION SPRING	1	FOR LOCK LEVEL	
	14	FSXP3026-002	RLS KNOB	1		
	15	FSKW3002-015	COMP.SPRING	1		
	16	FSPK3009-001	BLIND	1		
	17	-----	CD MECHA	1	TN-CCD1001Z	
	21	FSXP2035-038	PRESET BUTTON	1	KD-S550 J	
		FSXP2035-058	PRESET BUTTON	1	KD-S600J/S550E	
	22	FSXP3053-002	POWER BUTTON	1		
	23	FSXP3054-002	EJECT BUTTON	1	KD-S600J/S550E	
		FSXP3054-001	EJECT BUTTON	1	KD-S550 J	
	24	FSXP4005-019	OPERAT.BUTTON	1		
	25	FSXP3068-001	PUSH BUTTON	1		
	26	FSXP2034-034	OPERAT BUTTON	1	CD/FM/AM	
	27	FSXP2044-001	OPERAT.BUTTON	1		
	30	FSXP3055-001	DETACH BUTTON	1		
	31	FSKW3002-012	COMP. SPRING	1	FOR DETACH BUTT	
	32	FSJK3026-001	CD LENS	1		
	33	FSJC1043-002	REAR COVER	1		
	34	VKZ4777-001	MINI SCREW	4	FRONT+REAR	
	35	FSYN3105-D006	NAME PLATE	1	KD-S600 J	
		FSYN3104-D005	NAME PLATE	1	KD-S550 E	
		FSYN3104-006	NAME PLATE	1	KD-S550 J	
△	40	QMFZ021-100-J1	FUSE	1		
	41	VMA4652-001SS	EARTH PLATE	1		
	42	QLD0126-001	LCD MODULE	1	KD-S550 E	
		QLD0103-001	LCD MODULE	1	KD-S600J/S550J	
	43	FSYH3023-001	LCD CASE	1		
	44	FSJK3035-001	LCD LENS	1		
	45	FSKS3022-001	LENS CASE	1		
	46	QNZ0442-001	RUBBER CONNE	1		
	51	FSKM3010-013	REAR BRACKET	1		
	52	FSKL4018-00B	IC BRACKET	1		
	53	FSKL4015-002	REG BRACKET	1		
	54	QYSDST2606Z	SCREW	1	FOR ANT	
	55	QYSDST2606Z	SCREW	3	16P & TR BRACK	
	56	QYSDSF3006Z	SCREW	1	LINE OUT	
	57	FSKL4014-001	HEAT SINK	1		
	58	FSYH4078-001	LIGHT SHEET	1		

Exploded view of general assembly and parts list

Block No. M 1 M M



VI M



■ Parts list (CD mechanism)

Block No. M2MM

△	Item	Parts number	Parts name	Q'ty	Description	Area
	1	30310101T	FRAME	1		
	2	30310103T	DANPER PIN	2		
	3	30310107T	UPPER PLATE	1		
	4	30310108T	SEL STOP PLATE	1		
	5	30310142T	SEL ARM (L)L	1		
	6	30310143T	SEL ARM (R)L	1		
	7	30310145T	S ARM SPRING(L)	2		
	8	30310112T	TRIG LEVER	1		
	9	30310155T	TRIG PL(Z)	1		
	10	30310115T	TRIG PL SPRING	1		
	11	30310116T	TRIG ARM	1		
	12	30310134T	FIX ARM (L)B	1		
	13	30310159T	FIX ARM (R)Z	1		
	14	30310150T	FIX PL (L)Z	1		
	15	30310156T	FIX PL (R) Z	1		
	16	30310138T	LDG GR (6)B	1		
	17	30310122T	LDG GEAR (6)SP	1		
	18	30310148T	S.L ARM(N)	1		
	19	30310125T	S.L ARM SPRING	1		
	20	30310149T	REAR DAM BKT(Z)	1		
	22	30310151T	HUNG UP SP (FZ)	2		
	23	30310129T	HUNG UP SP (R)	2		
	29	30300510T	PU GEAR(B)	1		
	30	-----	T.T.BASE(Z)	1		
	31	-----	TURN TABLE(Z)	1		
	32	30310544T	F.M.BASE(Z)	1		
	33	30310547T	FD GR BLK(Z)	1		
	34	-----	FD GR AZ	1		
	35	-----	FD GR CZ	1		
	36	30310546T	PU GUIDE(Z)	1		
	37	-----	FD SCREW(Z)	1		
	38	30310533T	THRUST SPR(M)	1		
	39	30310548T	PU M NUT(Z)	1		
	40	30310512T	NUT PUSH SPR PL	1		
	41	30310558T	CLP ARM(Z)	1		
	42	30310514T	CLP ARM SPRING	1		
	43	30310552T	CLAMPER(Z)	1		
	46	-----	LOCK PIN(FZ)	2		
	47	-----	LOCK PIN(RZ)	2		
	48	30310557T	CLAMPER PLATE(Z)	1		
	49	30310524T	DAMPER (J)	3		
	50	30310525T	CLP ARM SPR (L)	1		
	51	30310545T	F SCREW GUIDE(Z)	1		
	52	30310556T	PU G.SP PLT(Z)	1		
	54	-----	FEED MOTOR	2	FF030PK-09210	
	55	-----	SPINDLE MOTOR	1	RF300CA-11440D	
	56	64180405T	DET SW	1	ESE11SF4	
	57	OPTIMA-720L1	C.D PICK (CAR)	1		

■ Parts list (CD mechanism)

Block No. M2MM

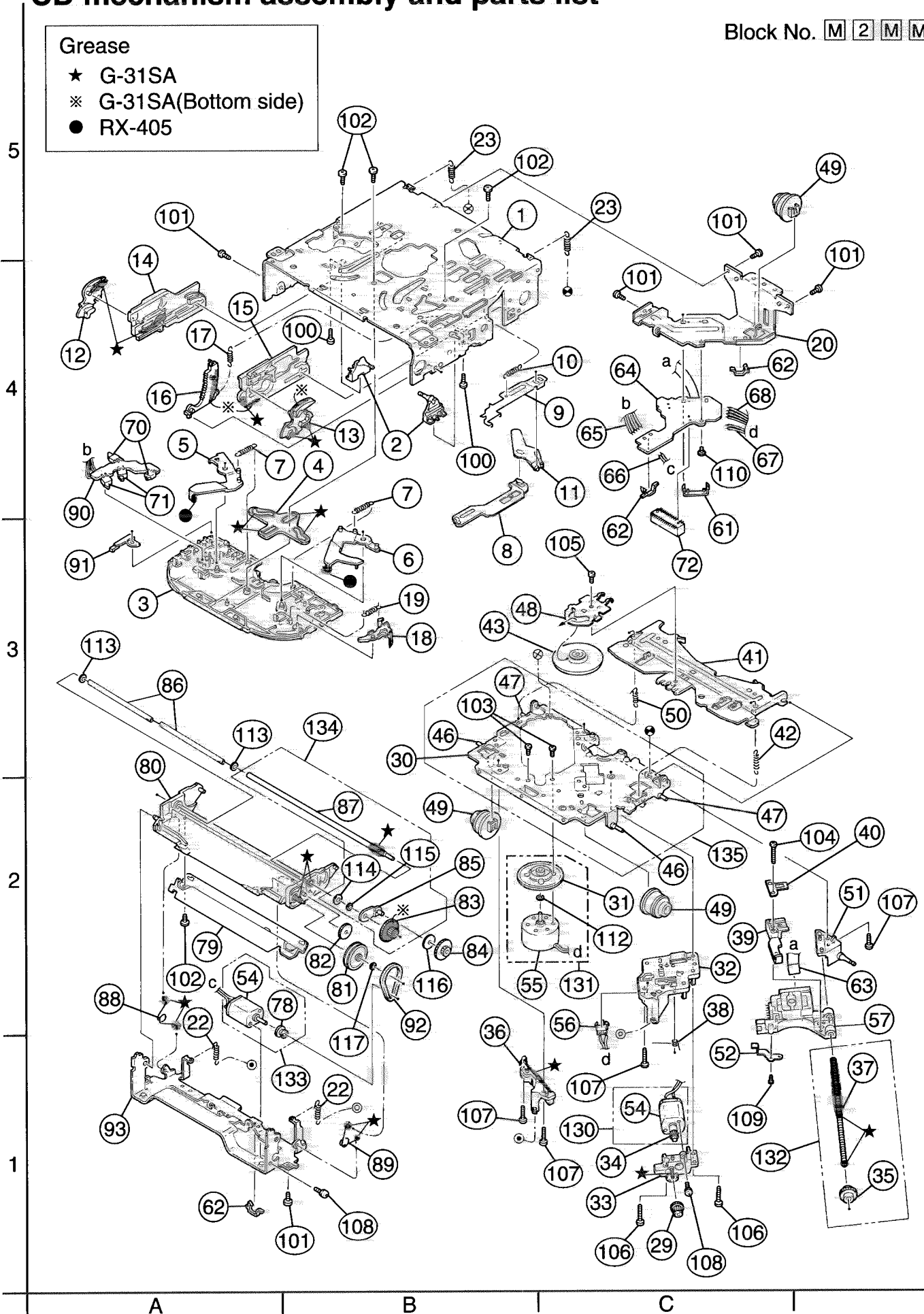
△	Item	Parts number	Parts name	Q'ty	Description	Area
	61	30311035T	FPC HOLDER(Z)	1		
	62	19501403T	WIRE CLAMPER	3		
	63	30311037T	PICK UP FPC(Z)	1		
	64	30311036T	CONNECT.PCB(Z-J)	1		
	65	30311038T	WIRE (5P-Z)	1		
	66	30311039T	WIRE (LD-Z)	1		
	67	30311040T	WIRE (FD-Z)	1		
	68	30311041T	WIRE (RS-Z)	1		
	70	64180402T	DET SWITCH	2	ESE22MH1	
	71	64180403T	DET SWITCH	2	ESE22MH3	
	72	68150232T	CONNECTOR	1	TKC-W26X-C1	
	78	-----	LDG PULLEY	1		
	79	30311105T	SOPPORT PLATE	1		
	80	30311138T	GR MT BLK(N)	1		
	81	30311109T	LDG GEAR (2)	1		
	82	30311110T	LDG GEAR (3)	1		
	83	-----	LDG GEAR (4)	1		
	84	30311112T	LDG GEAR (5)	1		
	85	-----	LDG GR ARM	1		
	86	30311136T	LDG ROLLER	2		
	87	-----	LDG RLR SHAFT	1		
	88	30311118T	L.P SPRING (L)	1		
	89	30311119T	L.P SPRING (R)	1		
	90	30311123T	SW PCB	1		
	91	30311124T	SW ACTUATOR	1		
	92	30311129T	LDG BELT	1		
	93	30311140T	FRONT BRKT (J)	1		
	100	9C0620503T	C B TAP SCREW	2	M2X5	
	101	9C2020401T	C SCREW TS.G	5	M2X4	
	102	9C4320403T	C B TAP SCREW	4	M2X4	
	103	9C0117223T	SCREW	2	M1.7X2.2	
	104	9C4217703T	C TAP SCREW S3	1	M1.7X7	
	105	9C0320201T	C TAP SCREW S3	1	M2X2	
	106	9C4920013T	C TAP SCREW S3	2	M2X10	
	107	9C4920603T	C TAP SCREW B3	4	M2X6	
	108	9P0220031T	TAMS SCREW	2	M2X3	
	109	9C0314203T	C TAP SCREW	1	M1.4X2	
	110	9C0420253	C TAP SCREW	1	M2X2.5	
	112	-----	POLY WASHER	1	2.1X3.5X0.3	
	113	9W0330276	NW BLUE	2	2.9X5X0.3	
	114	-----	WAVE WASHER	1		
	115	-----	LUMILAR WASHER	1	2.5X6X0.1	
	116	9W0735030T	LUMILAR W	1	2.3X9.8X0.25	
	117	9W0640030T	WASHER	1	1.4X3.2X0.4	
	130	303105310T	FEED MO ASSY	1	NO.34 54	
	131	303105311T	SPINDLE MO ASSY	1	NO.31 55 112	
	132	303105312T	FEED SCREW ASSY	1	NO.35 37	
	133	303111301T	LDG MOTOR ASSY	1	NO.54 78	
	134	303111302T	ROLLER SHAFT	1	NO.83 85 87	
		303111302T	ROLLER SHAFT	1	NO.114 115	
	135	303105502T	T.T.BASE ASSY	1	NO.30 46 47	

CD mechanism assembly and parts list

Block No. M 2 M M

Grease

- ★ G-31SA
- ※ G-31SA(Bottom side)
- RX-405



Electrical parts list

■ Electrical parts list (Main board)

Block No. 01

▲	Item	Parts number	Parts name	Remarks	Area	▲	Item	Parts number	Parts name	Remarks	Area
	C 101	QER41HM-105	E CAPACITOR	1.0MF 20% 50V			C 518	NCB21CK-224X	C CAPACITOR		
	C 151	NCS21HJ-102X	C CAPACITOR				C 519	NCB21EK-473X	C CAPACITOR		
	C 152	QEK41EM-475	E CAPACITOR	4.7MF 20% 25V			C 520	NDC21HJ-470X	C CAPACITOR		
	C 153	NDC21HJ-101X	C CAPACITOR				C 521	NCS21HJ-391X	C CAPACITOR		
	C 154	NDC21HJ-101X	C CAPACITOR				C 522	NCB21HK-223X	C CAPACITOR		
	C 155	QEKJ0JM-476Z	E CAPACITOR	47MF 20% 6.3V			C 523	NCB21HK-223X	C CAPACITOR		
	C 201	QER41HM-105	E CAPACITOR	1.0MF 20% 50V			C 524	NCB21HK-102X	C CAPACITOR		
	C 251	NCS21HJ-102X	C CAPACITOR				C 525	NCB21HK-102X	C CAPACITOR		
	C 252	QEK41EM-475	E CAPACITOR	4.7MF 20% 25V			C 527	NCB21EK-223X	C CAPACITOR		
	C 253	NDC21HJ-101X	C CAPACITOR				C 541	QERF1CM-226Z	E CAPACITOR	22MF 20% 16V	
	C 254	NDC21HJ-101X	C CAPACITOR				C 542	NCB21HK-122X	C CAPACITOR		
	C 255	QEKJ0JM-476Z	E CAPACITOR	47MF 20% 6.3V			C 543	NCB21EK-223X	C CAPACITOR		
	C 256	NCB21EK-103X	C CAPACITOR				C 551	QER41AM-227	E CAPACITOR	220MF 20% 10V	
	C 302	QFLA1HJ-822Z	M CAPACITOR	8200PF 5% 50V			C 552	NCB21EK-103X	C CAPACITOR		
	C 303	QFV61HJ-184Z	TF CAPACITOR	.22MF 5% 50V			C 561	NCB21EK-103X	C CAPACITOR		
	C 304	QFV61HJ-224Z	TF CAPACITOR	.22MF 5% 50V			C 562	NCB21EK-103X	C CAPACITOR		
	C 305	QFV61HJ-333Z	TF CAPACITOR	.033MF 5% 50V			C 563	NCB21HK-471X	C CAPACITOR		
	C 306	QFLA1HJ-562Z	M CAPACITOR	5600PF 5% 50V			C 564	NCB21HK-223X	C CAPACITOR		
	C 307	QERF1EM-475Z	E CAPACITOR	4.7MF 20% 25V			C 565	NCB21HK-223X	C CAPACITOR		
	C 308	QERF1EM-475Z	E CAPACITOR	4.7MF 20% 25V			C 566	NCB21CK-334X	C CAPACITOR		
	C 309	QEKJ1AM-107Z	E CAPACITOR	100MF 20% 10V			C 567	QEKJ1AM-107Z	E CAPACITOR	100MF 20% 10V	
	C 310	NCB21HK-103X	C CAPACITOR				C 568	NCB21EK-103X	C CAPACITOR		
	C 311	QEKJ1AM-107Z	E CAPACITOR	100MF 20% 10V			C 569	NDC21HJ-100X	C CAPACITOR		
	C 312	QEK41CM-476	E CAPACITOR	47MF 20% 16V			C 570	NDC21HJ-100X	C CAPACITOR		
	C 319	NCS21HJ-221X	C CAPACITOR				C 571	NCB21EK-103X	C CAPACITOR		
	C 320	NCS21HJ-221X	C CAPACITOR				C 572	QEKJ1AM-107Z	E CAPACITOR	100MF 20% 10V	
	C 321	QERF1CM-107Z	E CAPACITOR	100MF 20% 16V			C 573	QEKJ0JM-227Z	E CAPACITOR	220MF 20% 6.3V	
	C 323	NCS21HJ-101X	C CAPACITOR				C 574	NCB21EK-103X	C CAPACITOR		
	C 324	NCS21HJ-101X	C CAPACITOR				C 701	QERF1AM-476Z	E CAPACITOR	47MF 20% 10V	
	C 325	NCS21HJ-101X	C CAPACITOR				C 702	QEKJ1HM-104Z	E CAPACITOR	10MF 20% 50V	
	C 326	NCS21HJ-101X	C CAPACITOR				C 703	QEKJ1HM-104Z	E CAPACITOR	10MF 20% 50V	
	C 327	QEK41EM-475	E CAPACITOR	4.7MF 20% 25V			C 709	NCB21HK-273X	C CAPACITOR	KD-S600J/S550J	
	C 328	QEK41CM-106	E CAPACITOR	10MF 20% 16V			C 709	NCB21HK-223X	C CAPACITOR-M	KD-S550 E	
	C 329	QERF1EM-475Z	E CAPACITOR	KD-S600J/S550E			C 710	NCB21HK-223X	C CAPACITOR-M	KD-S550 E	
	C 329	QEKJ1EM-475Z	E CAPACITOR	KD-S550 J			C 710	NCB21HK-273X	C CAPACITOR	KD-S600J/S550J	
	C 330	NCB21HK-223X	C CAPACITOR				C 711	NCB21EK-103X	C CAPACITOR		
	C 331	NCB21HK-223X	C CAPACITOR				C 712	QEKJ1HM-104Z	E CAPACITOR	10MF 20% 50V	
	C 402	QFLA1HJ-822Z	M CAPACITOR	8200PF 5% 50V			C 713	NCS21HJ-101X	C CAPACITOR	KD-S550 E	
	C 403	QFV61HJ-184Z	TF CAPACITOR	.22MF 5% 50V			C 714	NCB21HK-103X	C CAPACITOR-M	KD-S550 E	
	C 404	QFV61HJ-224Z	TF CAPACITOR	.22MF 5% 50V			C 714	NCS21HJ-121X	C CAPACITOR	KD-S600J/S550J	
	C 405	QFV61HJ-333Z	TF CAPACITOR	.033MF 5% 50V			C 715	NCS21HJ-151X	C CAPACITOR-M	KD-S550 E	
	C 406	QFLA1HJ-562Z	M CAPACITOR	5600PF 5% 50V			C 716	NDC21HJ-8R0X	C CAPACITOR	KD-S600J/S550J	
	C 407	QERF1EM-475Z	E CAPACITOR	4.7MF 20% 25V			C 717	NCS21HJ-221X	C CAPACITOR	KD-S600J/S550J	
	C 408	QERF1EM-475Z	E CAPACITOR	4.7MF 20% 25V			C 717	NCS21HJ-680X	C CAPACITOR-M	KD-S550 E	
	C 419	NCS21HJ-221X	C CAPACITOR				C 718	NCB21HK-223X	C CAPACITOR		
	C 420	NCS21HJ-221X	C CAPACITOR				C 720	QER41AM-227	E CAPACITOR	220MF 20% 10V	
	C 423	NCS21HJ-101X	C CAPACITOR				C 725	NCB21EK-103X	C CAPACITOR		
	C 424	NCS21HJ-101X	C CAPACITOR				C 731	QERF1HM-225Z	E CAPACITOR	2.2MF 20% 50V	
	C 425	NCS21HJ-101X	C CAPACITOR				C 732	NCB21HK-102X	C CAPACITOR		
	C 426	NCS21HJ-101X	C CAPACITOR				C 733	QER41AM-227	E CAPACITOR	220MF 20% 10V	
	C 501	NCB21EK-103X	C CAPACITOR				C 801	QERF1AM-227Z	E CAPACITOR	KD-S600J/S550E	
	C 502	QER41AM-107	E CAPACITOR	100MF 20% 10V			C 801	QEKJ0JM-227Z	E CAPACITOR	KD-S550 J	
	C 503	NCS21HJ-680X	C CAPACITOR				C 802	NCB21EK-103X	C CAPACITOR		
	C 504	QEKJ1AM-107Z	E CAPACITOR	100MF 20% 10V			C 803	NDC21HJ-220X	C CAPACITOR		
	C 505	NCB21EK-103X	C CAPACITOR				C 804	NDC21HJ-330X	C CAPACITOR		
	C 506	NDC21HJ-3R0X	C CAPACITOR				C 807	QERF1CM-106Z	E CAPACITOR	10MF 20% 16V	
	C 507	NCB21EK-104X	C CAPACITOR				C 808	NCB21HK-102X	C CAPACITOR	KD-S600J/S550J	
	C 508	QEKJ1HM-105Z	E CAPACITOR	1.0MF 20% 50V			C 833	NCB21HK-102X	C CAPACITOR	KD-S600J/S550E	
	C 509	NDC21HJ-101X	C CAPACITOR				C 833	NCB21EK-102X	C CAPACITOR	KD-S550 J	
	C 510	NCB21HK-273X	C CAPACITOR				C 836	QCS11HJ-680	C CAPACITOR	KD-S600J/S550J	
	C 511	NCB21HK-472X	C CAPACITOR				C 861	QEKJ1AM-107Z	E CAPACITOR	100MF 20% 10V	
	C 512	NCB21HK-103X	C CAPACITOR				C 862	NCB21EK-823X	C CAPACITOR		
	C 513	NDC21HJ-331X	C CAPACITOR				C 901	QE20337-228	E CAPACITOR	2200MF	
	C 514	NCB21EK-104X	C CAPACITOR				C 902	NCB21HK-103X	C CAPACITOR		
	C 515	NCB21EK-103X	C CAPACITOR				C 903	QEKJ1CM-226Z	E CAPACITOR	22MF 20% 16V	
	C 516	QEKJ1AM-107Z	E CAPACITOR	100MF 20% 10V			C 904	QERF1CM-226Z	E CAPACITOR	22MF 20% 16V	
	C 517	NCS21HJ-821X	C CAPACITOR				C 905	QERF1CM-226Z	E CAPACITOR	22MF 20% 16V	

■ Electrical parts list (Main board)

Block No. 01

Item	Parts number	Parts name	Remarks	Area	Item	Parts number	Parts name	Remarks	Area
C 906	NCB21EK-104X	C CAPACITOR			R 153	NRSA02J-333X	MG RESISTOR		
C 907	NCB21HK-103X	C CAPACITOR			R 154	NRSA02J-223X	MG RESISTOR		
C 908	QERF1AM-107Z	E CAPACITOR	100MF 20% 10V		R 155	NRSA02J-102X	MG RESISTOR		
C 909	QERF1AM-107Z	E CAPACITOR	100MF 20% 10V		R 156	NRS181J-223X	MG RESISTOR		
C 910	NCB21HK-103X	C CAPACITOR			R 157	NRSA02J-223X	MG RESISTOR		
C 911	QERF1AM-227Z	E CAPACITOR	220MF 20% 10V		R 201	NRS181J-392X	MG RESISTOR	KD-S600J/S550J	
C 914	NCB21HK-104X	C CAPACITOR			R 201	NRS181J-202X	MG RESISTOR	KD-S550 E	
C 915	NCB11CK-225X	C CAPACITOR	KD-S600J/550E		R 202	NRSA02J-562X	MG RESISTOR	KD-S550 E	
CJ321	QNN0170-001	PIN JACK (REEL)			R 202	NRSA02J-432X	MG RESISTOR	KD-S600J/S550J	
CJ701	QNZ0009-001	CAR ANT-JACK			R 251	NRSA02J-102X	MG RESISTOR		
CN50	QGB2027M1-26S	CONNECTOR			R 252	NRSA02J-223X	MG RESISTOR		
CN80	VMC0334-001	CONNECTOR			R 253	NRSA02J-333X	MG RESISTOR		
CN90	QNZ0002-001	16P CONNECTOR			R 254	NRSA02J-223X	MG RESISTOR		
D 321	1SS254-T2	SI DIODE			R 255	NRSA02J-102X	MG RESISTOR		
D 332	MA152WA-X	DIODE			R 256	NRSA02J-223X	MG RESISTOR		
D 551	DSK10C-T1	DIODE			R 257	NRSA02J-223X	MG RESISTOR		
D 552	DSK10C-T1	DIODE			R 301	NRSA02J-223X	MG RESISTOR		
D 553	DSK10C-T1	DIODE			R 302	NRSA02J-222X	MG RESISTOR		
D 701	1SS254-T2	SI DIODE			R 303	NRSA02J-473X	MG RESISTOR		
D 702	1SS254-T2	SI DIODE			R 304	NRSA02J-473X	MG RESISTOR		
D 711	MA152WK-X	SI DIODE	KD-S550 E		R 307	NRSA02J-273X	MG RESISTOR		
D 731	MTZJ10B-T2	ZENER DIODE			R 308	NRSA02J-273X	MG RESISTOR		
D 801	1SS254-T2	SI DIODE	KD-S550 E		R 321	NRSA02J-473X	MG RESISTOR		
D 810	MA152WA-X	DIODE			R 322	NRSA02J-181X	MG RESISTOR		
D 861	MTZJ4.7B-T2	Z DIODE 1 M			R 323	NRS181J-472X	MG RESISTOR		
D 866	MA152WA-X	DIODE			R 333	NRSA02J-102X	MG RESISTOR		
D 867	MA152WK-X	SI DIODE			R 334	NRSA02J-101X	MG RESISTOR		
D 901	1N5401-TU-15	DIODE			R 336	NRSA02J-222X	MG RESISTOR		
D 902	SB10-03A3-T2	SB DIODE			R 401	NRSA02J-223X	MG RESISTOR		
D 903	1SS254-T2	SI DIODE			R 402	NRSA02J-222X	MG RESISTOR		
D 904	CRS03-W	SB DIODE			R 403	NRSA02J-473X	MG RESISTOR		
IC151	NJM4565M-WE	IC			R 404	NRSA02J-473X	MG RESISTOR		
IC301	TEA6320T-X	IC			R 407	NRSA02J-273X	MG RESISTOR		
IC321	HA13158A	IC			R 408	NRSA02J-273X	MG RESISTOR		
IC501	AN8806SB-W	IC			R 433	NRSA02J-102X	MG RESISTOR		
IC541	LA6557-X	IC			R 434	NRSA02J-101X	MG RESISTOR		
IC561	MN35510	IC			R 436	NRSA02J-222X	MG RESISTOR		
IC801	JES01-9597	I.C(MICRO-COMP)			R 501	NRSA02J-220X	MG RESISTOR		
IC901	BA4905-V3	IC			R 502	NRSA02J-220X	MG RESISTOR		
L 501	QQL231K-4R7Y	INDUCTOR			R 503	NRS181J-102X	MG RESISTOR		
L 561	QQL231K-4R7Y	INDUCTOR			R 504	NRSA02J-392X	MG RESISTOR		
L 562	QQL231K-4R7Y	INDUCTOR			R 505	NRSA02J-224X	MG RESISTOR		
L 701	QQL231K-330Y	INDUCTOR			R 506	NRSA02J-223X	MG RESISTOR		
L 801	QQL231K-4R7Y	INDUCTOR			R 507	NRSA02J-332X	MG RESISTOR		
L 901	QQR0703-001	CHOKE COIL			R 508	NRSA02J-883X	MG RESISTOR		
Q 321	DTC114EKA-X	TRANSISTOR			R 509	NRSA02J-153X	MG RESISTOR		
Q 332	2SD1048/6-7/-X	TRANSISTOR			R 510	NRSA02J-154X	MG RESISTOR		
Q 432	2SD1048/6-7/-X	TRANSISTOR			R 511	NRSA02J-274X	MG RESISTOR		
Q 501	2SA1706/ST-T	TRANSISTOR			R 512	NRSA02J-563X	MG RESISTOR		
Q 541	2SA1706/ST-T	TRANSISTOR			R 513	NRSA02J-563X	MG RESISTOR		
Q 701	DTC114EKA-X	TRANSISTOR			R 514	NRS181J-123X	MG RESISTOR		
Q 702	DTC144EKA-X	DIGI.TRANSISTOR	KD-S550 E		R 515	NRSA02J-123X	MG RESISTOR		
Q 703	DTA144EKA-X	DIGI.TRANSISTOR	KD-S550 E		R 516	NRSA02J-123X	MG RESISTOR		
Q 731	2SC2412K/R/-X	TRANSISTOR			R 517	NRSA02J-123X	MG RESISTOR		
Q 732	2SC2412K/R/-X	TRANSISTOR			R 541	NRSA02J-102X	MG RESISTOR		
Q 791	2SB1197K/QR/-X	TRANSISTOR			R 542	NRSA02J-822X	MG RESISTOR		
Q 793	DTC114EKA-X	TRANSISTOR	KD-S600J/S550J		R 543	NRSA02J-303X	MG RESISTOR		
Q 793	DTC144EKA-X	DIGI.TRANSISTOR	KD-S550 E		R 544	NRSA02J-332X	MG RESISTOR		
Q 861	DTA114EKA-X	DIGITAL TRANSIS			R 545	NRSA02J-123X	MG RESISTOR		
Q 902	2SC2412K/R/-X	TRANSISTOR			R 546	NRSA02J-563X	MG RESISTOR		
Q 903	2SA1037AK/RS/-X	TRANSISTOR			R 547	NRSA02J-154X	MG RESISTOR		
R 101	NRSA02J-202X	MG RESISTOR	KD-S550 E		R 548	NRSA02J-822X	MG RESISTOR		
R 101	NRSA02J-392X	MG RESISTOR	KD-S600J/S550J		R 550	NRSA02J-123X	MG RESISTOR		
R 102	NRSA02J-432X	MG RESISTOR	KD-S600J/S550J		R 560	NRS181J-101X	MG RESISTOR		
R 102	NRSA02J-562X	MG RESISTOR	KD-S550 E		R 561	NRS181J-102X	MG RESISTOR		
R 151	NRSA02J-102X	MG RESISTOR			R 562	NRS181J-102X	MG RESISTOR		
R 152	NRSA02J-223X	MG RESISTOR			R 563	NRS181J-102X	MG RESISTOR		

KD-S550/KD-S600

Electrical parts list (Main board)

Block No. 01

Item	Parts number	Parts name	Remarks	Area
R 564	NRS181J-102X	MG RESISTOR		
R 567	NRS181J-102X	MG RESISTOR		
R 568	NRS181J-102X	MG RESISTOR		
R 569	NRSA02J-102X	MG RESISTOR		
R 570	NRSA02J-102X	MG RESISTOR		
R 571	NRSA02J-683X	MG RESISTOR		
R 572	NRSA02J-105X	MG RESISTOR		
R 573	NRSA02J-124X	MG RESISTOR		
R 574	NRSA02J-331X	MG RESISTOR		
R 701	NRS181J-102X	MG RESISTOR		
R 702	NRSA02J-0R0X	MG RESISTOR	KD-S600J/S550J	
R 702	NRSA02J-151X	MG RESISTOR	KD-S550 E	
R 703	NRSA02J-102X	MG RESISTOR		
R 704	NRSA02J-0R0X	MG RESISTOR	KD-S600 J	
R 704	NRSA02J-151X	MG RESISTOR	KD-S550 E	
R 705	NRSA02J-103X	MG RESISTOR		
R 708	NRSA02J-155X	MG RESISTOR		
R 725	NRSA02J-151X	MG RESISTOR	KD-S600 J	
R 725	NRSA02J-470X	MG RESISTOR	KD-S550E/S550J	
R 731	NRS181J-152X	MG RESISTOR		
R 732	NRSA02J-102X	MG RESISTOR		
R 733	NRS181J-103X	MG RESISTOR		
R 734	NRSA02J-471X	MG RESISTOR		
R 791	NRSA02J-103X	MG RESISTOR		
R 792	NRS181J-102X	MG RESISTOR		
R 795	NRSA02J-150X	MG RESISTOR		
R 796	NRSA02J-150X	MG RESISTOR		
R 798	NRSA02J-105X	MG RESISTOR		
R 801	NRS181J-103X	MG RESISTOR		
R 803	NRS181J-332X	MG RESISTOR		
R 804	NRS181J-332X	MG RESISTOR		
R 805	NRS181J-332X	MG RESISTOR		
R 807	NRS181J-473X	MG RESISTOR		
R 808	NRS181J-102X	MG RESISTOR		
R 809	NRS181J-103X	MG RESISTOR		
R 810	NRSA02J-104X	MG RESISTOR		
R 811	NRSA02J-332X	MG RESISTOR		
R 812	NRSA02J-332X	MG RESISTOR		
R 813	NRSA02J-473X	MG RESISTOR		
R 814	NRSA02J-473X	MG RESISTOR		
R 815	NRSA02J-473X	MG RESISTOR		
R 816	NRSA02J-473X	MG RESISTOR		
R 817	NRS181J-472X	MG RESISTOR		
R 818	NRS181J-473X	MG RESISTOR	KD-S550 J/E	
R 822	NRSA02J-222X	MG RESISTOR		
R 823	NRSA02J-473X	MG RESISTOR		
R 825	NRS181J-473X	MG RESISTOR	KD-S600J/S550J	
R 825	NRS181J-123X	MG RESISTOR	KD-S550 E	
R 826	NRSA02J-473X	MG RESISTOR		
R 827	NRSA02J-473X	MG RESISTOR		
R 828	NRSA02J-473X	MG RESISTOR		
R 829	NRS181J-473X	MG RESISTOR		
R 830	NRS181J-223X	MG RESISTOR		
R 831	NRSA02J-472X	MG RESISTOR		
R 832	NRS181J-223X	MG RESISTOR		
R 833	NRSA02J-472X	MG RESISTOR		
R 834	NRS181J-223X	MG RESISTOR		
R 835	NRS181J-472X	MG RESISTOR		
R 836	NRSA02J-473X	MG RESISTOR		
R 861	NRS181J-471X	MG RESISTOR		
R 862	NRS181J-471X	MG RESISTOR		
R 902	QRZ0125-472X	C RESISTOR	4.7K 1/4W	
R 903	NRSA02J-202X	MG RESISTOR		
R 904	NRSA02J-104X	MG RESISTOR		
R 905	NRSA02J-472X	MG RESISTOR		
R 906	NRSA02J-472X	MG RESISTOR		
R 907	NRSA02J-393X	MG RESISTOR		

Item	Parts number	Parts name	Remarks	Area
R 908	NRSA02J-683X	MG RESISTOR		
R 909	NRSA02J-273X	MG RESISTOR		
R 910	NRSA02J-473X	MG RESISTOR		
R 911	NRS181J-473X	MG RESISTOR	KD-S600J/550E	
SP 1	VYSH101-009	SPACER	KD-S600 J	
SP 2	VYSH101-009	SPACER	KD-S600 J	
TU70	QAU0153-001	FM FRONT END	KD-S550 J	
TU70	QAU0171-001	TUNER	KD-S600J/S550E	
X 561	QAX0413-001Z	CRYSTAL		
X 801	QAX0406-001Z	CRYSTAL		

■ Electrical parts list (Front board)

Block No. 02

▲	Item	Parts number	Parts name	Remarks	Area	▲	Item	Parts number	Parts name	Remarks	Area
	C 601	NCB21HK-223X	C CAPACITOR				R 640	NRSA02J-271X	MG RESISTOR		
	C 602	NCS21HJ-681X	C CAPACITOR				R 641	NRSA02J-271X	MG RESISTOR		
	C 603	NBE20JM-106X	TS E CAP SVB20J				R 651	NRSA02J-222X	MG RESISTOR		
	C 611	NCB21HK-123X	C CAPACITOR	KD-S600 J			R 652	NRSA02J-222X	MG RESISTOR		
	C 612	NBE20JM-475X	TS E CAPACITOR	KD-S600 J			R 653	NRSA02J-103X	MG RESISTOR		
	CJ601	VMC0335-001	CONNECTOR				R 654	NRSA02J-103X	MG RESISTOR		
	D 601	LNJ308G81/1-3/X	LED				R 655	NRSA02J-103X	MG RESISTOR		
	D 602	LNJ308G81/1-3/X	LED				R 656	NRSA02J-103X	MG RESISTOR		
	D 603	LNJ308G81/1-3/X	LED				R 657	NRSA02J-513X	MG RESISTOR		
	D 604	LNJ308G81/1-3/X	LED				R 658	NRSA02J-184X	MG RESISTOR		
	D 605	LNJ308G81/1-3/X	LED				R 661	NRSA02J-103X	MG RESISTOR	KD-S600 J	
	D 606	LNJ308G81/1-3/X	LED				R 662	NRSA02J-471X	MG RESISTOR	KD-S600 J	
	D 607	LNJ308G81/1-3/X	LED				S 601	NSW0124-001X	TACT SWITCH	POWER	
	D 608	LNJ308G81/1-3/X	LED				S 602	NSW0124-001X	TACT SWITCH	VOL UP	
	D 609	LNJ308G81/1-3/X	LED				S 603	NSW0124-001X	TACT SWITCH	VOL DOWN	
	D 610	LNJ308G81/1-3/X	LED				S 604	NSW0124-001X	TACT SWITCH	LOUD	
	D 611	LNJ308G81/1-3/X	LED				S 605	NSW0124-001X	TACT SWITCH	MO	
	D 612	LNJ308G81/1-3/X	LED				S 606	NSW0124-001X	TACT SWITCH	DOWN	
	D 613	LNJ308G81/1-3/X	LED				S 607	NSW0124-001X	TACT SWITCH	SELECT	
	D 614	LNJ308G81/1-3/X	LED				S 608	NSW0124-001X	TACT SWITCH	UP	
	D 615	LNJ308G81/1-3/X	LED				S 609	NSW0124-001X	TACT SWITCH	1	
	D 616	LNJ308G81/1-3/X	LED				S 610	NSW0124-001X	TACT SWITCH	2	
	D 617	SML-310VT/JK-X	LED	KD-S600 J			S 611	NSW0124-001X	TACT SWITCH	3	
	D 617	LNJ308G81/1-3/X	LED	KD-S550 E/J			S 612	NSW0124-001X	TACT SWITCH	4	
	D 618	LNJ308G81/1-3/X	LED	KD-S550 E/J			S 613	NSW0124-001X	TACT SWITCH	5	
	D 618	SML-310VT/JK-X	LED	KD-S600 J			S 614	NSW0124-001X	TACT SWITCH	EJECT	
	D 619	SML-310VT/JK-X	LED	KD-S600 J			S 615	NSW0124-001X	TACT SWITCH	6	
	D 619	LNJ308G81/1-3/X	LED	KD-S550 E/J			S 616	NSW0124-001X	TACT SWITCH	DISPLAY	
	D 620	LNJ308G81/1-3/X	LED				S 617	NSW0124-001X	TACT SWITCH	SCAN	
	D 621	SML-310LT/MN-X	LED	POWER LED			S 618	NSW0124-001X	TACT SWITCH	SOUND	
	D 641	MA3047M/-X	ZENER DIODE				S 619	NSW0124-001X	TACT SWITCH	AM	
	D 642	MA152WK-X	SI DIODE				S 620	NSW0124-001X	TACT SWITCH	FM	
	IC601	LC75823W	IC				S 621	NSW0124-001X	TACT SWITCH	CD	
	IC602	RPM6938-SV4	IC	KD-S600 J							
	PL601	QLL0056-001	PILOT LAMP	KD-S550 E							
	PL601	QLL0033-003	LAMP	KD-S600J/S550J							
	PL602	QLL0033-003	LAMP	KD-S600J/S550J							
	PL602	QLL0056-001	PILOT LAMP	KD-S550 E							
	R 601	NRSA02J-681X	MG RESISTOR								
	R 602	NRSA02J-511X	MG RESISTOR								
	R 603	NRSA02J-681X	MG RESISTOR								
	R 604	NRSA02J-911X	MG RESISTOR								
	R 605	NRSA02J-122X	MG RESISTOR								
	R 606	NRSA02J-681X	MG RESISTOR								
	R 607	NRSA02J-511X	MG RESISTOR								
	R 608	NRSA02J-681X	MG RESISTOR								
	R 609	NRSA02J-911X	MG RESISTOR								
	R 610	NRSA02J-122X	MG RESISTOR								
	R 611	NRSA02J-152X	MG RESISTOR								
	R 612	NRSA02J-222X	MG RESISTOR								
	R 613	NRSA02J-681X	MG RESISTOR								
	R 614	NRSA02J-511X	MG RESISTOR								
	R 615	NRSA02J-681X	MG RESISTOR								
	R 616	NRSA02J-911X	MG RESISTOR								
	R 617	NRSA02J-122X	MG RESISTOR								
	R 618	NRSA02J-152X	MG RESISTOR								
	R 631	NRSA02J-821X	MG RESISTOR								
	R 632	NRSA02J-271X	MG RESISTOR	KD-S550 E/J							
	R 632	NRSA02J-391X	MG RESISTOR	KD-S600 J							
	R 633	NRSA02J-391X	MG RESISTOR	KD-S600 J							
	R 633	NRSA02J-271X	MG RESISTOR	KD-S550 E/J							
	R 634	NRSA02J-271X	MG RESISTOR								
	R 635	NRSA02J-271X	MG RESISTOR								
	R 636	NRSA02J-271X	MG RESISTOR								
	R 637	NRSA02J-271X	MG RESISTOR								
	R 638	NRSA02J-271X	MG RESISTOR								
	R 639	NRSA02J-271X	MG RESISTOR								

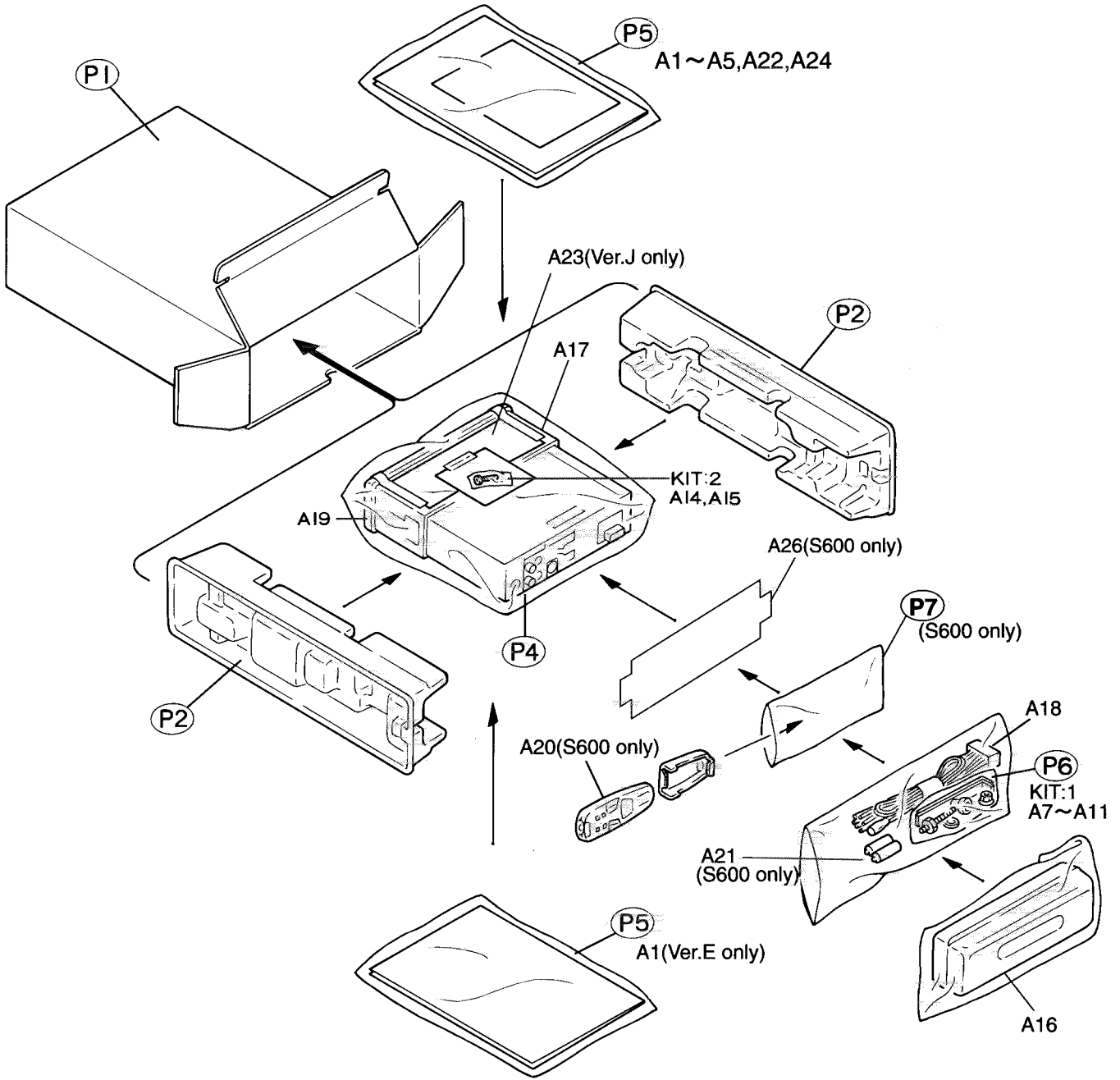
Packing materials and accessories parts list

Block No.

M	3	M	M
---	---	---	---

Block No.

M	4	M	M
---	---	---	---



■ Parts list (Packing parts list)

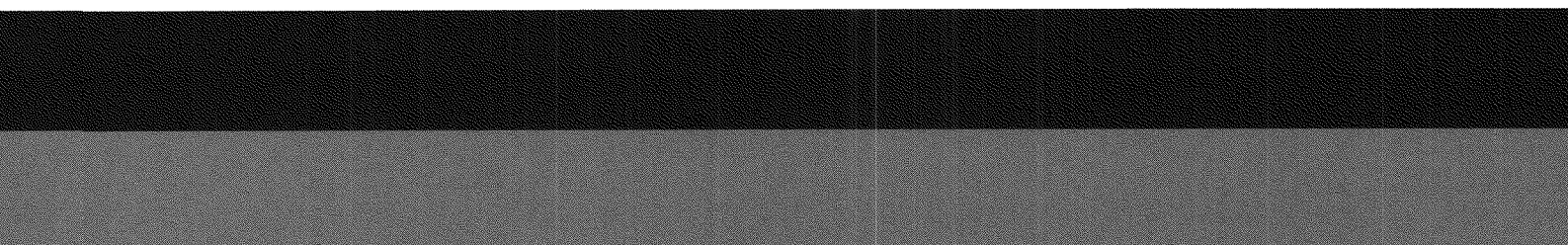
Block No. M3MM

△	Item	Parts number	Parts name	Q'ty	Description	Area
	P 1	FSPE3001-153	CARTON	1	KD-S550 J	
		FSPE3004-053	CARTON	1	KD-S600 J	
		FSPE3004-052	CARTON	1	KD-S550 E	
	P 2	FSPH1014-001	PAPER CUSHION	2		
	P 4	VPE3005-064	POLY BAG	1	SET(260X440X0.0	
	P 5	QPA01703505P	POLY BAG	1	KD-S600J/S550J	
		QPA01703505P	POLY BAG	2	KD-S550 E	
	P 6	QPA00801205	POLY BAG	1		
	P 7	FSPG4001-001	BUBBLE BAG	1	KD-S600 J	

■ Parts list (Accessories parts list)

Block No. M4MM

△	Item	Parts number	Parts name	Q'ty	Description	Area
	A 1	FSUN3105-631	I BOOK 600/550J	1	ENG SPA FRE	
		FSUN3104-321	I BOOK 550E	1	SPA ITA SWE FIN	
		FSUN3104-311	I BOOK 550E	1	ENG GER FRE DUT	
	A 2	FSUN3104-T481	I SHEET 550E	1	SWE FRE	
		FSUN3104-T451	I SHEET 550E	1	SPA DUT ITA	
		FSUN3104-T211	I SHEET 550E	1	ENG GER FRE	
		FSUN3105-T631	I SHEET600/550J	1	ENG SPA FRE	
	A 3	BT-51018-1	WARRANTY CARD	1		
		BT-52001-4	WARRANTY CARD	1	KD-S600 J	
		BT-52001-4S	WARRANTY CARD	1	KD-S550 J	
		BT-54013-1	WARRANTY CARD	1	KD-S550 E	
	A 4	BT-20071B-S	JVC CENTER LIST	1	KD-S550 J	
		BT-20071B	JVC CENTER LIST	1	KD-S600 J	
	A 5	BT-51020-2	J=REGIST CARD	1		
	A 7	VKZ4027-202	PLUG NUT	1		
	A 8	VKH4871-001SS	MOUNT BOLT	1		
	A 9	VKZ4328-001	LOCK NUT	1	FOR M5	
	A 10	WNS5000Z	WASHER	1		
	A 11	FSKL4010-002	HOOK	2		
	A 14	VKZ4777-001	MINI SCREW	1		
	A 15	FSYA4001-001	SHEET	1		
	A 16	FSJB3001-30A	HARD CASE	1	KD-S600J/S550E	
		FSJB3001-00A	HARD CASE	1	KD-S550 J	
	A 17	FSKM2004-002	MOUNTING SLEEVE	1	KD-S550 J	
		FSKM2004-202	MOUNTING SLEEVE	1	KD-S600J/S550E	
	A 18	QAM0089-001	CAR PLUG CORD	1	KD-S550 E	
		QAM0013-005	CAR PLUG CORD	1	KD-S550 J	
		QAM0013-006	16P CORD ASS'Y	1	KD-S600 J	
	A 19	FSJD2034-001	TRIM PLATE	1		
	A 20	QAL0075-001	REMOCON	1	KD-S600 J	
	A 21	-----	BATTERY	1	KD-S600 J	
	A 22	LVT0326-001C	TROUBLE SHOOTIN	1	KD-S600J/550J	
	A 23	LV41417-001A	CAUTION	1	KD-S600J/550J	
	A 24	FSUD3104-001A	IMPORTANT SHEET	1	KD-S600 J	
	A 26	FSPK4014-001	CARTON PARTITIO	1	KD-S600 J	
	KIT 1	KDGS717K-SCREW1	SCREW PARTS KIT	1	A7-A11	
	KIT 2	KDGS727J-SCREW2	SCREW PARTS KIT	1	A14 A15	



JVC

VICTOR COMPANY OF JAPAN, LIMITED
MOBILE ELECTRONICS DIVISION, 10-1, 1chome, Ohwatari-machi, Maebashi-city, Japan